

INSTALLATION AND MAINTENANCE MANUAL FOR NEMA LOW VOLTAGE ELECTRIC MOTORS



The electric motor is the item of equipment most widely used by man in his pursuit of progress, as virtually all machines and many renowned inventions depend upon it.

By virtue of the prominent role the electric motor plays in the comfort and welfare of mankind, it must be regarded and treated as a prime power unit embodying features that merit special attention, including its installation and maintenance.

This means that the electric motor should receive proper attention.

Its installation and routine maintenance require specific care to ensure perfect operation and longer life of the unit.

THE WEG ELECTRIC MOTOR INSTALLATION AND MAINTENANCE MANUAL provides the necessary information to properly install, maintain and preserve the most important component of all equipment:

THE ELECTRIC MOTOR!

WEG





Contents



1 - Introduction	03
2 - Basic Instructions	05
2.1 Safety Instructions	05
2.2 Delivery	05
2.3 Storage	05
2.3.1 Drying the Windings	06
3 - Installation	07
3.1 Mechanical Aspects	07
3.1.1 Foundation	07
3.1.2 Types of bases	07
3.1.3 Alignment	08
3.1.4 Coupling	09
3.1.5 Bearing Load (Stresses on the bearings)	10
3.2 Electrical Aspects	16
3.2.1 Feed System	16
3.2.2 Starting of Electric Motors	16
3.2.3 Motor Protection	18
3.3 Start-up	19
3.3.1 Preliminary Inspection	19
3.3.2 The First Start-up	21
3.3.3 Operation	21
3.3.4 Stopping	21
4 - Maintenance	25
4.1 Cleanliness	25
4.2 Lubrication	25
4.2.1 Periodical Lubrication	25
4.2.2 Quality and Quantity of Grease	25
4.2.3 Lubricating Instructions	25
4.2.4 Replacement of Bearings	26
4.3 Air Gap Checking	26
4.4 Explosion Proof Motor Repair Steps	27
4.4.1 Objective	27
4.4.2 Repair Procedure and Precautions	27
4.4.3 Miscellaneous Recommendations	27
5 - Malfunctioning	28
5.1 Standard Three-phase Motor Failures	28
5.1.1 Short Circuits Between Turns	28
5.1.2 Winding Failures	28
5.1.3 Rotor Failures	29
5.1.4 Bearing Failures	29
5.1.5 Shaft Fractures	29
5.1.6 Unbalanced V-Belt Drives	29
5.1.7 Damage Arising from Poorly Fitted Transmission Parts or Improper Motor Alignment	29
5.2 Troubleshooting Chart	30
6 - Spare Parts and Component Terminology	31



1. Introduction



This manual covers all the three-phase and single-phase asynchronous squirrel-cage induction motors, from 140T to 580T frame sizes.

The motors described in this manual are subject to continuous improvement and all information is subject to change without notice.

For further details, please consult WEG.

2. Basic Instructions

2.1 Safety Instructions

All personnel involved with electrical installations, either handling, lifting, operation and maintenance, should be well-informed and up-to-date concerning the safety standards and principles that govern the work and carefully follow them. Before work commences, it is the responsibility of the person in charge to ascertain that these have been duly complied with and to alert his personnel of the inherent hazards of the job in hand. It is recommended that these tasks be undertaken only by qualified personnel and they should be instructed to:

- avoid contact with energized circuits or rotating parts,
- avoid by-passing or rendering inoperative any safeguards or protective devices,
- avoid extended exposure in close proximity to machinery with high noise levels,
- use proper care and procedures in handling, lifting, installing, operating and maintaining the equipment, and
- follow consistently any instructions and product documentation supplied when they do such work.

Before initiating maintenance procedures, be sure that all power sources are disconnected from the motor and accessories to avoid electric shock.

Fire fighting equipment and notices concerning first aid should not be lacking at the job site; these should be visible and accessible at all times.

2.2 Delivery

Prior to shipment, motors are factory-tested and balanced. They are packed in boxes or bolted to a wooden base.

Upon receipt, we recommend careful handling and a physical examination for damage which may have occurred during transportation.

In the event of damage and in order to guaranty insurance coverage, both the nearest WEG sales office and the carrier should be notified without delay.

2.3 Storage

Motors should be raised by their eyebolts and never by their shafts. It is important that high rating three-phase motors be raised by their eyebolts. Raising and lowering must be steady and joltless, otherwise bearings may be harmed.

When motors are not immediately installed, they should be stored in their normal upright position in a dry even temperature place, free of dust, gases and corrosive atmosphere.

Other objects should not be placed on or against them.

Motors stored over long periods are subject to loss of insulation resistance and oxidation of bearings.

Bearings and lubricant deserve special attention during prolonged periods of storage. Depending on the length and conditions of storage it may be necessary to regrease or change rusted bearings. The weight of the rotor in an inactive motor tends to expel grease from between the

bearing surfaces thereby removing the protective film that impedes metal-to-metal contact.

As a preventive measure against the formation of corrosion by contact, motors should not be stored near machines which cause vibrations, and every 3 month their shafts should be rotated manually.

Insulation resistance fluctuates widely with temperature and humidity variations and the cleanliness of components. When a motor is not immediately put into service it should be protected against moist, high temperatures and impurities, thus avoiding damage to insulation resistance.

If the motor has been in storage more than six month or has been subjected to adverse moisture conditions, it is best to check the insulation resistance of the stator winding with a megohmmeter.

If the resistance is lower than ten megohms the windings should be dried in one of the two following ways:

- 1) Bake in oven at temperatures not exceeding 194 degrees F until insulation resistance becomes constant.
- 2) With rotor locked, apply low voltage and gradually increase current through windings until temperature measured with thermometer reaches 194 degrees F. Do not exceed this temperature.

If the motor is stored for an extensive period, the rotor must be periodically rotated.

Should the ambient conditions be very humid, a periodical inspection is recommended during storage. It is difficult to prescribe rules for the true insulation resistance value of a machine as resistance varies according to the type, size and rated voltage and the state of the insulation material used, method of construction and the machine's insulation antecedents. A lot of experience is necessary in order to decide when a machine is ready or not to be put into service. Periodical records are useful in making this decision.

The following guidelines show the approximate values that can be expected of a clean and dry motor, at 40°C test voltage in applied during one minute.

Insulation resistance R_m is obtained by the formula:

$$R_m = V_n + 1$$

Where: R_m - minimum recommended insulation resistance in M W with winding at 40°C

V_n - rated machine voltage in kV

In case the test is carried out at a temperature other than 40°C, the value must be corrected to 40°C using an approximated curve of insulation resistance v.s temperature of the winding with the aid of Figure 2.1; it's possible verify that resistance practically doubles every 10°C that insulating temperature is lowered.

Example:

Ambient temperature = 50°C
Motor winding resistance at 50°C = 1.02 M W
Correction to 40°C

$$R_{40^{\circ}\text{C}} = R_{50^{\circ}\text{C}} \times K_{50^{\circ}\text{C}}$$

$$R_{40^{\circ}\text{C}} = 1.02 \times 1.3$$

$$R_{40^{\circ}\text{C}} = 1.326 \text{ M W}$$

The minimum resistance Rm will be:

$$R_m = V_n + 1$$

$$R_m = 0.440 + 1$$

$$R_m = 1.440 \text{ M W}$$

On new motors, lower values are often attained due to solvents present in the insulating varnishes that later evaporate during normal operation. This does not necessarily mean that the motor is not operational, since insulating resistance will increase after a period of service.

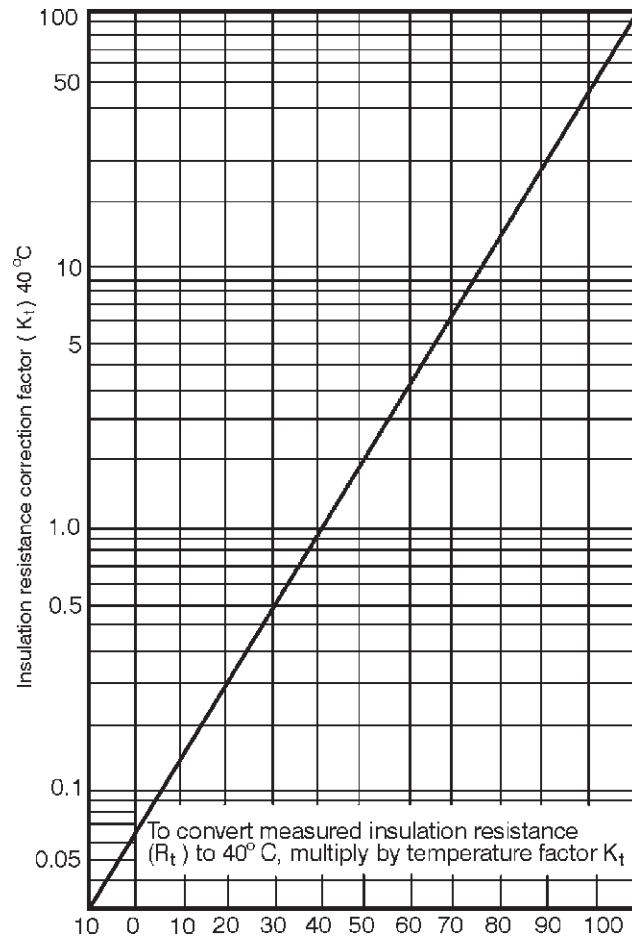
On motors which have been in service for a period of time much larger values are often attained. A comparison of the values recorded in previous tests on the same motor under similar load, temperature and humidity conditions, serves as a better indication of insulation condition than that of the value derived from a single test. Any substantial or sudden reduction is suspect and the cause determined and corrective action taken. Insulation resistance is usually measured with a MEGGER. In the event that insulation resistance is inferior to the values derived from the above formula, motors should be subjected to a drying process.

This operation should be carried out with maximum care, and only by qualified personnel. The rate of temperature rise should not exceed 5°C per hour and the temperature of the winding should not exceed 105°C. An overly high final temperature as well as a fast temperature increase rate can each generate vapour harmful to the insulation.

Temperature should be accurately controlled during the drying process and the insulation resistance measured at regular intervals.

During the early stages of the drying process, insulation resistance will decrease as a result of the temperature increase, but the resistance will increase again when the insulation becomes dryer.

The drying process should be extended until successive measurements of insulation resistance indicate that a constant value above the minimum acceptable value has been attained. It is extremely important that the interior of the motor be well ventilated during the drying operation to ensure that the dampness is really removed.



Heat for drying can be obtained from outside sources (an oven), energization of the space heater (optional), or introducing a current through the actual winding of the motor being dried.

Winding Temperature (°C)

$$R_{40^{\circ}\text{C}} = R_t \times K_{t40^{\circ}\text{C}}$$

Figure 2.1.

3. Installation

Electric machines should be installed in order to allow an easy access for inspection and maintenance. Should the surrounding atmosphere be humid, corrosive or contain flammable substances or particles, it is essential to ensure an adequate degree of protection.

The installation of motors in environments where there are vapours, gases or dusts, flammable or combustible materials, subject to fire or explosion, should be undertaken according to appropriate and governing codes, such as NEC Art. 500 (National Electrical Code) and UL-674 (Underwriters Laboratories, Inc.) Standards.

Under no circumstances can motors be enclosed in boxes or covered with materials which may impede or reduce the free circulation of ventilating air. Machines fitted with external ventilation should be at least 50cm from the wall to permit the passage of air.

The opening for the entry and exit of air flow should never be obstructed or reduced by conductors, pipes or other objects. The place of installation should allow for air renewal at a rate of 700 cubic feet per minute for each 75 HP motor capacity.

3.1 Mechanical Aspects

3.1.1 Foundation

The motor base must be levelled and as far as possible free of vibrations. A concrete foundation is recommended for motors over 100 HP. The choice of base will depend upon the nature of the soil at the place of erection or of the floor capacity in the case of buildings.

When dimensioning the motor base, keep in mind that the motor may occasionally be run at a torque above that of the rated full load torque.

Based upon Figure 3.1, foundation stresses can be calculated by using the following formula:

$$F1 = 0.2247 (0.009 \times g \times G - 213 \text{ Tmáx}/A)$$

$$F2 = 0.2247 (0.009 \times g \times G + 213 \text{ Tmax}/A)$$

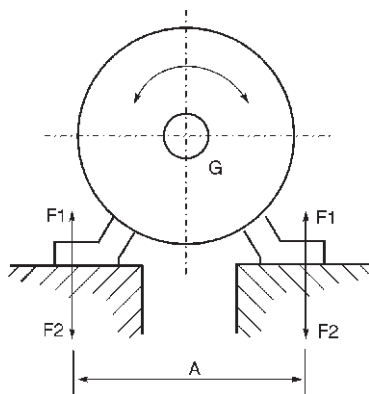


Figure 3.1 - Base stresses

Where:

- F1 and F2 - Lateral stress (Lb)
- g - Force of gravity (32.18 ft/s²)
- G - Weight of motor (Lb)
- Tmax - Maximum torque (Lb . Ft)
- A - Obtained from the dimensional drawing of the motor (in)

Sunken bolts or metallic base plates should be used to secure the motor to the base.

3.1.2 Types of Bases

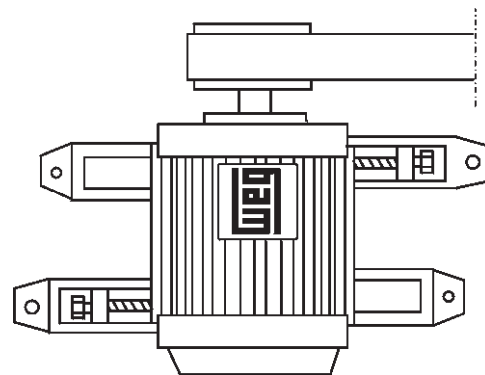
a) Slide Rails

When motor drive is by pulleys the motor should be mounted on slide rails and the lower part of the belt should be pulling.

The rail nearest the drive pulley is positioned in such a manner that the adjusting bolt be between the motor and the driven machine. The other rail should be positioned with the bolt in the opposite position, as shown in Figure 3.2.

The motor is bolted to the rails and set on the base. The drive pulley is aligned such that its center is on a plane with the center of the driven pulley and the motor shaft and that of the machine be parallel.

The belt should not be overly stretched, see Figure 3.11.



After the alignment, the rails are fixed.

Figure 3.2 - Positioning of slide rails for motor alignment

b) Foundation Studs

Very often, particularly when drive is by flexible coupling the motor is anchored directly to the base with foundation studs. It is recommended that shim plates of approximately 0.8 inches be used between the foundation studs and the feet of the motor for replacement purposes. These shim plates are useful when exchanging one motor for another of larger shaft height due to variations allowed by standard tolerances.

Foundation studs should neither be painted nor rusted as both interfere with the adherence of the concrete, and bring about loosening.

After accurate alignment and levelling of the motor, the foundation studs are cemented and their screws tightened to secure the motor.

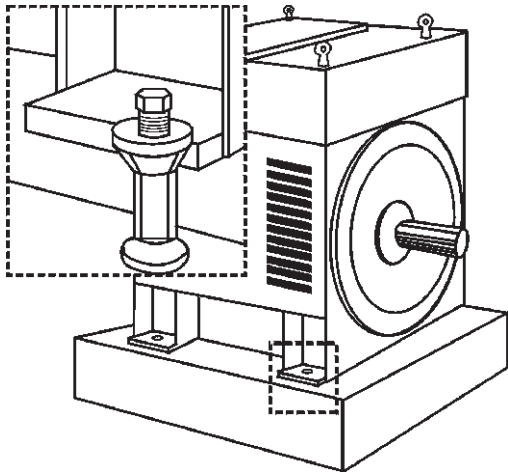


Figure 3.3 - Motor mounted on a concrete base with foundation studs

3.1.3 Alignment

The electric motor should be accurately aligned with the driven machine, particularly in cases of direct coupling. An incorrect alignment can cause bearing failure vibrations and even shaft rupture.

The best way to ensure correct alignment is to use dial gauges placed on each coupling half, one reading radially and the other

axially - Figure 3.5.

Figure 3.5 - Alignment with dial gauges

Thus, simultaneous readings are possible and allow for checking for any parallel (Figure 3.6a) and concentricity deviations (Figure 3.6b) by rotating the shafts one turn.

Gauge readings should not exceed 0.02 inches. If the installer is sufficiently skilled, he can obtain alignment with feeler gauges and a steel ruler, providing that the couplings are perfect and centered - Figure 3.6c.

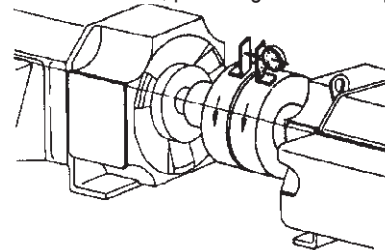


Figure 3.6a - Deviation from parallel

Figure 3.6b - Deviation from concentricity

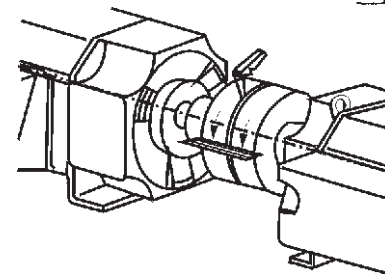
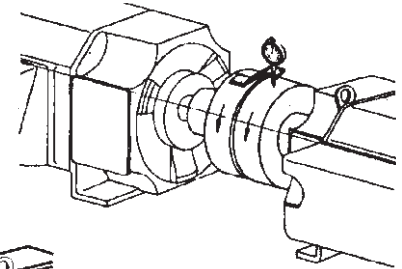


Figure 3.6c - Alignment with a steel ruler



3.1.4 Coupling

a) Direct Coupling

Direct coupling is always preferable due to its lower cost, space economy, no belt slippage and lower accident risk.

In the case of speed ratio drives, it is also common to use a direct coupling with a reducer (gear box).

CAUTION: Carefully align the shaft ends using, whenever feasible, a flexible coupling.

Figure 3.7 - A type of direct coupling

b) Gear Coupling



Poorly aligned gear couplings are the cause of jerking motions which bring about the vibration of the actual drive and vibrations within the motor.

Therefore, due care must be given to perfect shaft alignment: exactly parallel in the case of straight gears, and at the correct angle for bevel or helical gears.

Perfect gear engagement can be checked by the insertion of a strip of paper on which the teeth marks will be traced after a single rotation.

c) Belt and Pulley Coupling

Belt coupling is most commonly used when a speed ratio is required.

Assembly of Pulleys: To assemble pulleys on shaft ends with a keyway and threaded end holes the pulley should be inserted halfway up the keyway merely by manual pressure.

On shafts without threaded end holes the heating of the pulley to about 80°C is recommended, or alternatively, the devices illustrated in Figure 3.8 may be employed.

Figure 3.8 - Pulley mounting device

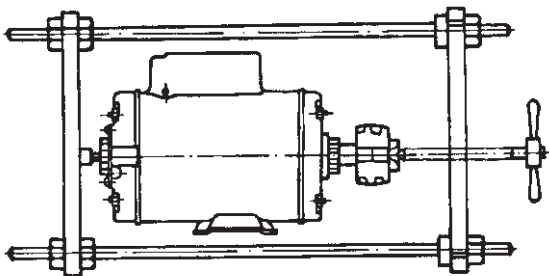
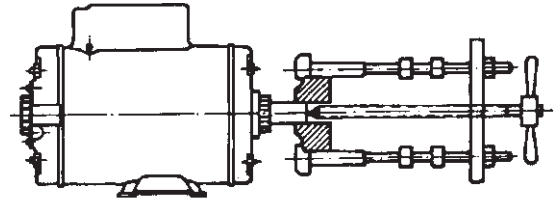


Figure 3.8a - Pulley extractor



Hammers should be avoided during the fitting of pulleys and bearings. The fitting of bearings with the aid of hammers leaves blemishes on the bearing races. These initially small flaws increase with usage and can develop to a stage that completely impairs the bearing.

The correct positioning of a pulley is shown in Figure 3.9.

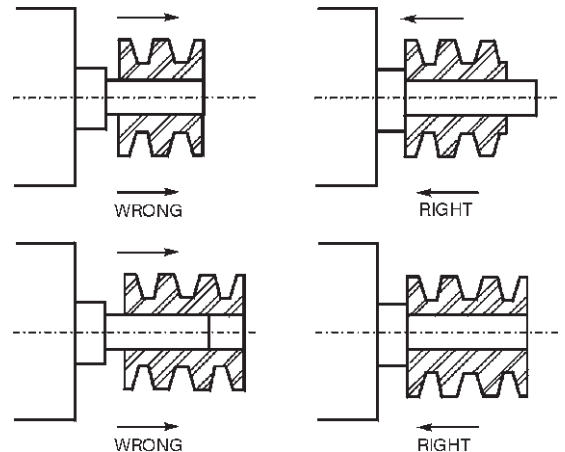


Figure 3.9 - Correct positioning of pulley on the shaft

RUNNING: To avoid needless radial stresses on the bearings it is imperative that shafts are parallel and the pulleys perfectly aligned. (Figure 3.10).

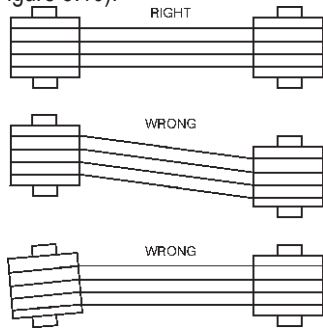


Figure 3.10 - Correct pulley alignment

Laterally misaligned pulleys, when running, transmit alternating knocks to the rotor and can damage the bearing housing. Belt slippage can be avoided by applying a resin (rosin for example). Belt tension should be sufficient to avoid slippage during operation (Figure 3.11).

Pulleys that are too small should be avoided; these cause shaft flexion because belt traction increases in proportion to a decrease in the pulley size. Table 1 determines minimum pulley diameters, and Tables 2 and 3 refer to the maximum stresses acceptable on motor bearings up to frame 580. Beyond frame size 600, an analysis should be requested from the WEG engineering.

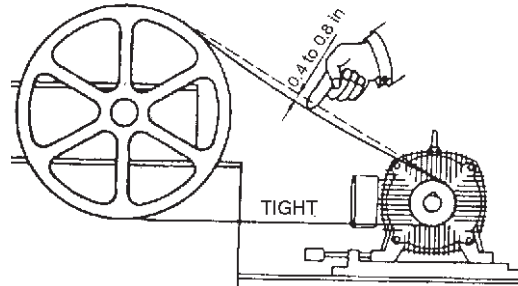
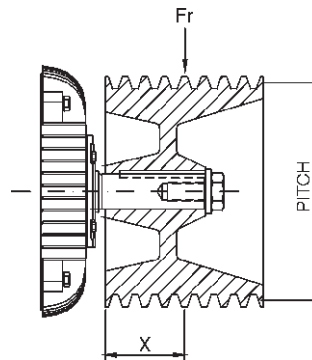


Figure 3.11 - Belt tensions

Table 1 - Minimum pitch diameter of pulleys

Frame	Ball bearings						
	Bearing	Size X Inches					
		0.79	1.57	2.36	3.15	3.94	4.72
140	6205-Z	1.7	1.85	2			
W 180	6206-Z	3.03	3.23	3.46			
180	6307-Z	1.69	1.81	1.93			
W 210	6308-Z		2.86	3.00	3.16		
210	6308-Z		2.90	3.06	3.22		
W 250	6309 C3		4.37	4.54	4.72	4.92	
250	6309 C3		4.41	4.59	4.77	4.97	
280	6311 C3			5.08	5.19	5.47	5.65
320	6312 C3			7.44	7.76	7.94	8.18
360	6314 C3			8.73	9.00	9.28	9.57



Frame	Poles	Ball Bearing				Roller Bearing							
		Bearing	Size X Inches				Bearing	Size X Inches					
			1.97	3.15	4.33	5.51		1.97	3.15	4.33	5.51	6.69	8.27
400	II	6314 C3	7.3	7.62	7.94	8.24		-	-	-	-	-	-
	IV-VI-VII	6314 C3					NU 316	4.13	4.31	4.49	4.67	4.85	-
440	II	6314 C3	11.75	12.16	12.61	13.08		-	-	-	-	-	-
	IV-VI-VIII	6319 C3					NU 319	4.02	4.17	4.32	4.47	4.62	4.82
500	II	6314 C3	23.54	24.34	25.12	25.87		-	-	-	-	-	-
	IV-VI-VIII	6319 C3					NU 319	6.52	6.73	6.95	7.17	7.39	7.67
5008	II	6314 C3	44.66	45.79	46.98	48.23		-	-	-	-	-	-
	IV-VI-VIII	6322 C3					NU 322	8.73	8.95	9.96	11.34	12.87	14.82
580	II	6314 C3	57	58	59	60		-	-	-	-	-	-
	IV-VI-VIII	6322 C3					NU 322	10.72	10.91	11.11	11.31	11.50	11.76

Important: 1) Peripheral speeds for solid grey cast iron pulleys FC 200 is $V = 115$ ft/s
2) Use steel pulleys when peripheral speed is higher than 115 ft/s
3) V-belt speed should not exceed 115 ft/s.

Table 2 - Maximum acceptable radial load (Lbf)



Nema 56 Motors		Saw Arbor Motors		
Frame	Poles	Radial Force (Lbf)		
		Distance X		
		1	1,18	2
56A	II	88	-	59
	IV	88	-	59
56B	II	88	-	59
	IV	86	-	59
56D	II	127	-	70
	IV	141	-	70

80 LMS	II	-	355	-
80 MMS	II	-	359	-
80 SMS	II	-	357	-
90 LMS	II	-	427	-
	IV	-	555	-

Table 3 - Maximum acceptable axial load (Lbf)

IP55 Totally Enclosed Motors - 60Hz Position / Construction Form																	
F R A M E																	
	II	IV	VI	VIII	II	IV	VI	VIII	II	IV	VI	VIII	II	IV	VI	VIII	
140	103	141	167	187	112	152	185	207	99	132	158	178	105	143	174	198	
W 180	108	145	180	202	154	209	255	286	94	130	165	183	141	194	240	269	
180	149	207	249	286	269	370	443	500	136	189	229	266	253	352	421	480	
W 210	196	264	326	368	329	447	544	610	176	238	297	339	310	421	518	582	
210	189	257	315	357	324	443	533	599	160	220	275	310	295	405	493	553	
W 250	282	372	443	485	471	620	734	811	240	317	394	414	430	564	685	743	
250	273	368	436	485	463	615	727	813	220	310	379	421	410	557	672	749	
280	355	480	551	624	621	826	959	1,082	275	388	427	502	540	736	838	961	
320	374	498	588	668	703	930	1,091	1,232	266	366	432	511	597	793	937	1,078	
360	890	1,181	1,144	1,323	890	1,181	1,375	1,552	745	985	1,144	1,323	745	985	1,144	1,323	
400	877	1,148	1,347	1,521	877	1,148	1,347	1,521	705	890	1,060	1,241	705	890	1,060	1,241	
440	842	1,303	1,563	1,821	842	1,303	1,563	1,821	568	884	1,109	1,488	568	884	1,109	1,488	
500	769	1,250	1,481	1,728	769	1,250	1,481	1,728	355	721	844	1,190	355	721	844	1,109	
5008	791	1,624	1,909	2,137	791	1,624	1,909	2,137	728	1,548	1,808	2,029	728	1,548	1,808	2,029	
580	679	1,406	1,649	1,865	679	1,406	1,649	1,865	033	474	549	597	033	474	549	597	

Open Motors - NEMA 56 Frames - 60Hz Position / Construction Form									
F R A M E									
	II	IV	II	IV	II	IV	II	IV	
56 A	68	90	83	112	63	85	79	108	
56 B	66	90	81	110	63	83	77	105	
56 D	63	88	105	145	59	81	101	138	



The maximum radial load for each frame are determined, by graphs.

INSTRUCTIONS ON HOW TO USE THE GRAPHS

- 1 - Maximum radial load on shaft.
- 2 - Maximum radial load on bearings.

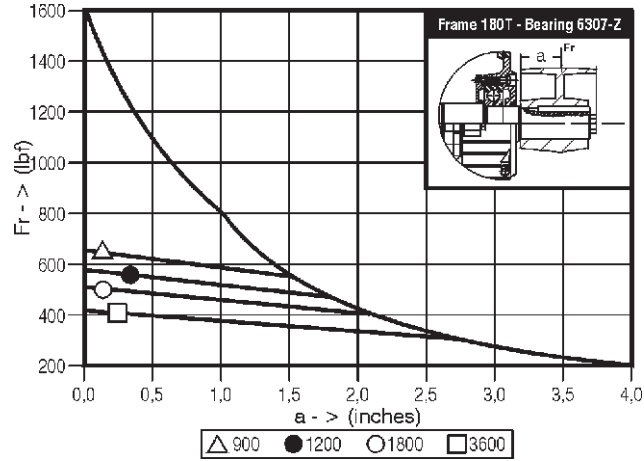
Where: X - Half of pulley width (inches)
Fr- Maximum radial load in relation to the diameter and pulley width.

Example:
Verify whether a 2HP motor, II Pole, 60Hz withstands a radial load of 110Lb, considering a pulley width of 4 inches.

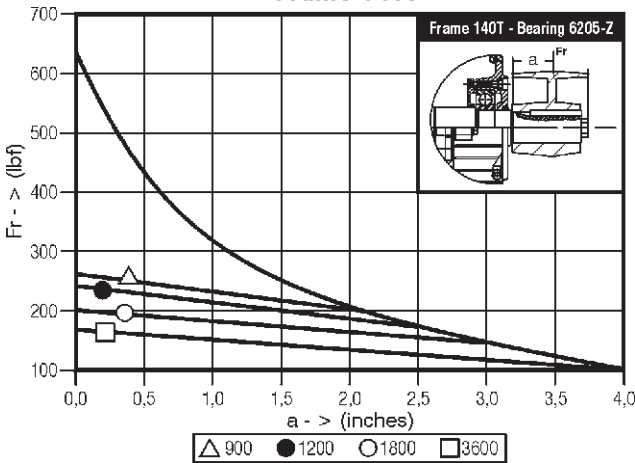
Frame : 145T
Fr : 110Lb
X : 2 inches

- 1 - Mark the distance X
- 2 - Find out line N = 3600 for bearing Based on the above, this bearing withstands a radial load of 130 Lb.

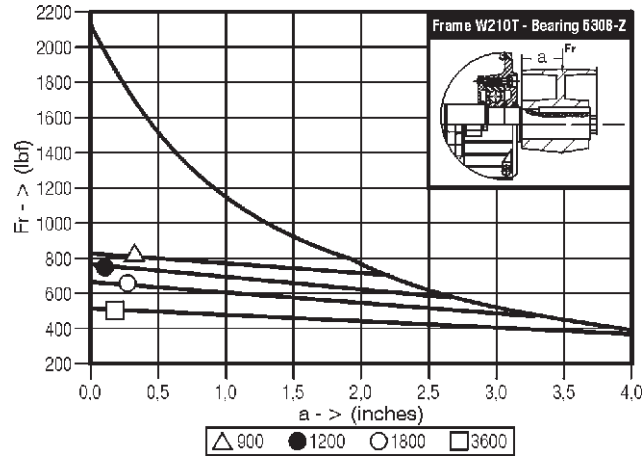
Frame 180T



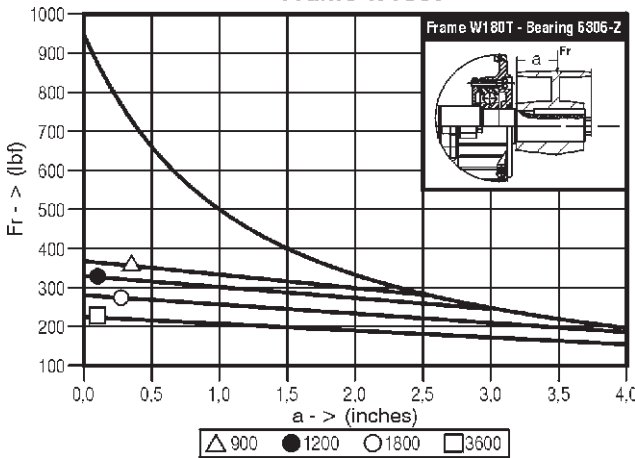
Frame 140T



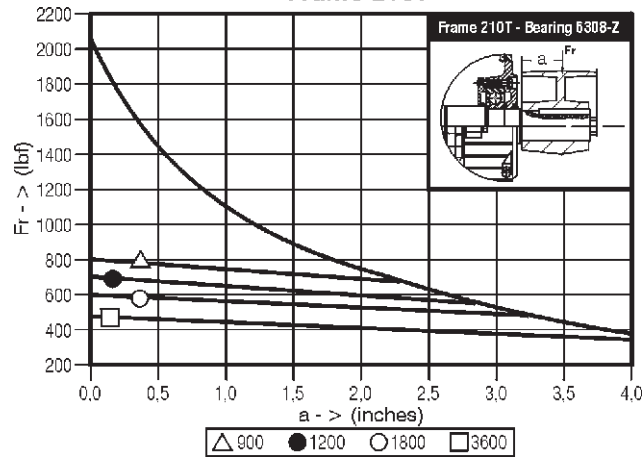
Frame W210T

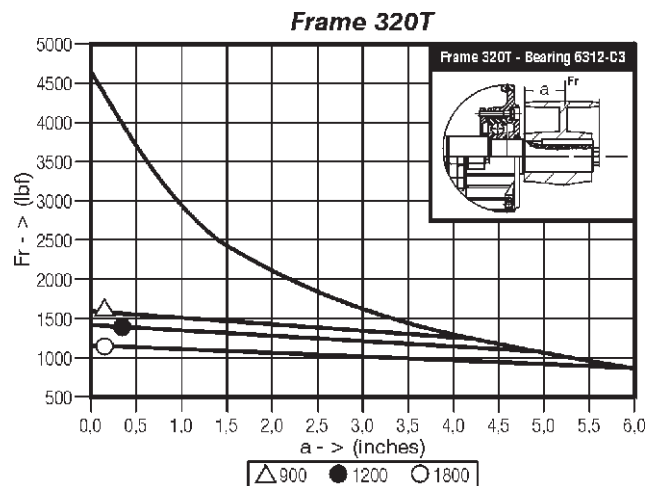
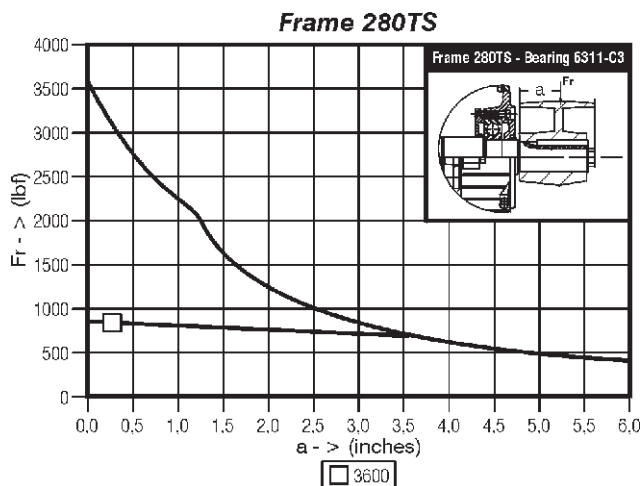
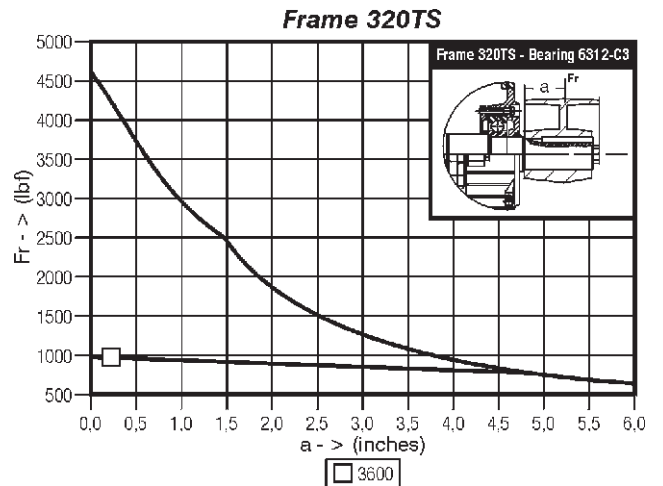
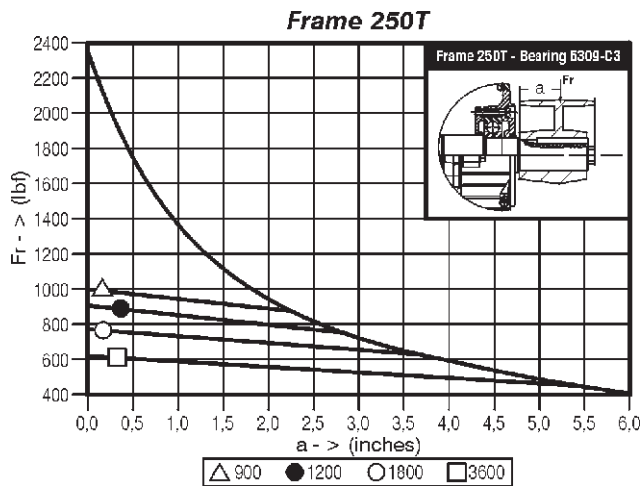
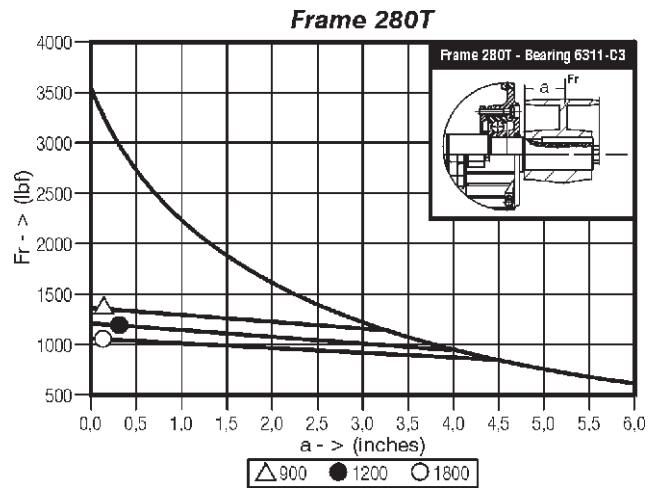
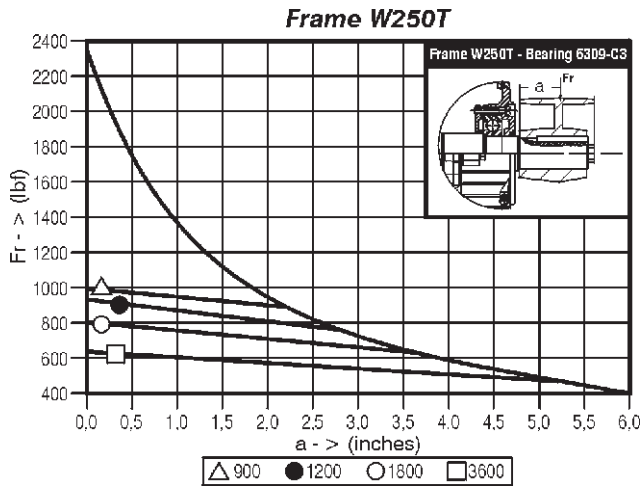


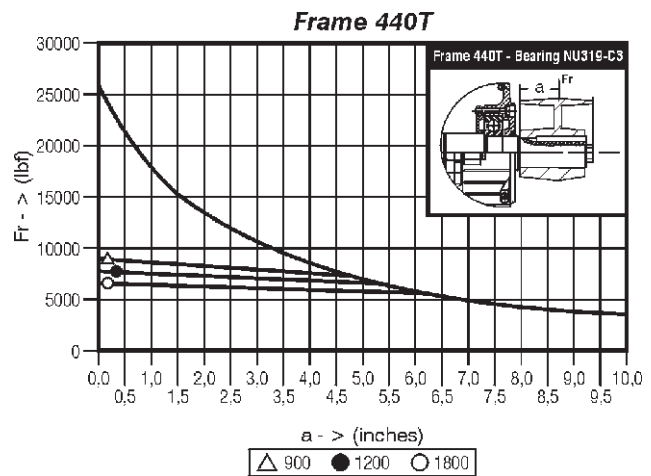
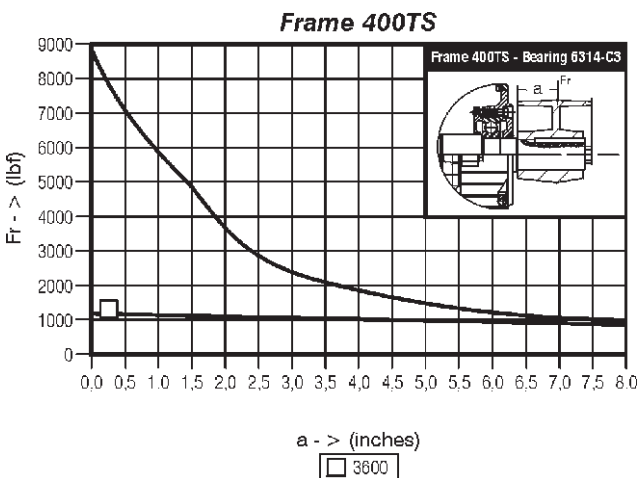
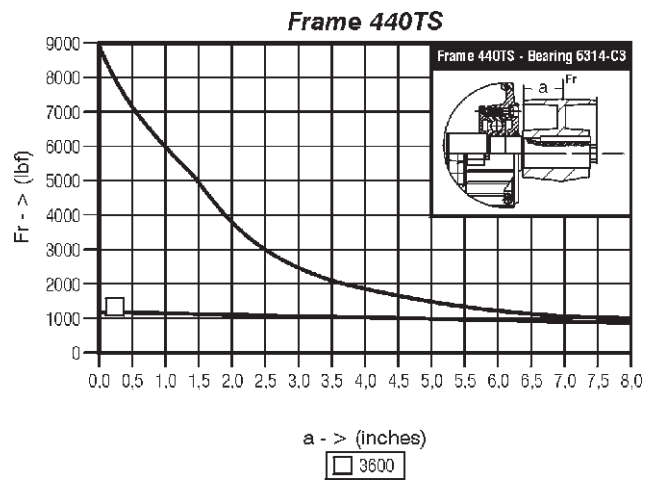
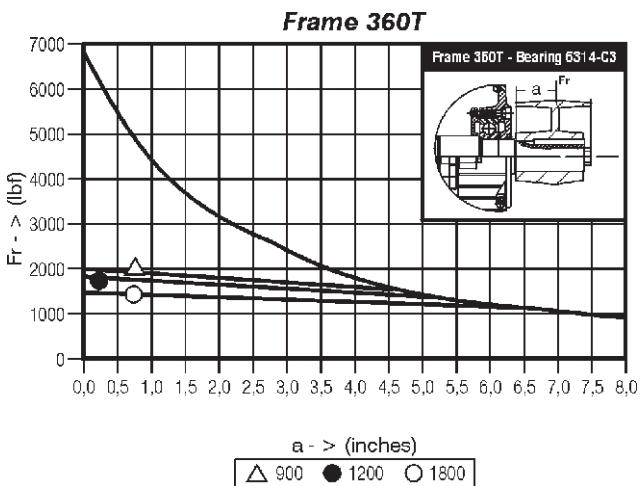
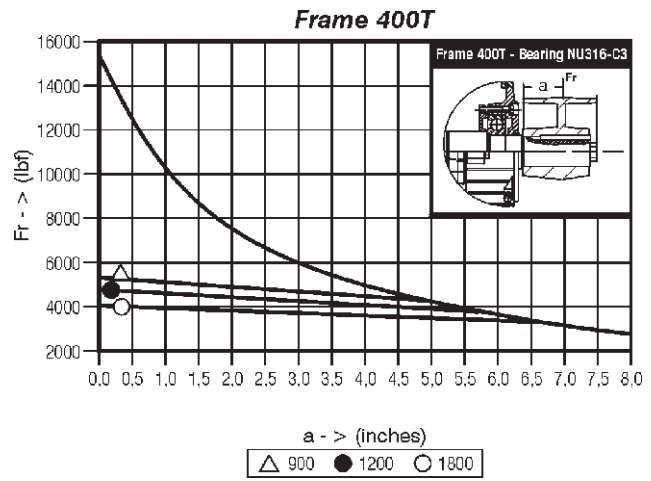
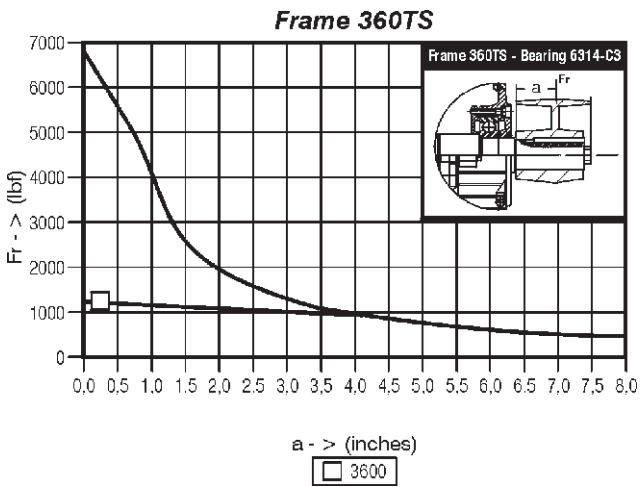
Frame W180T

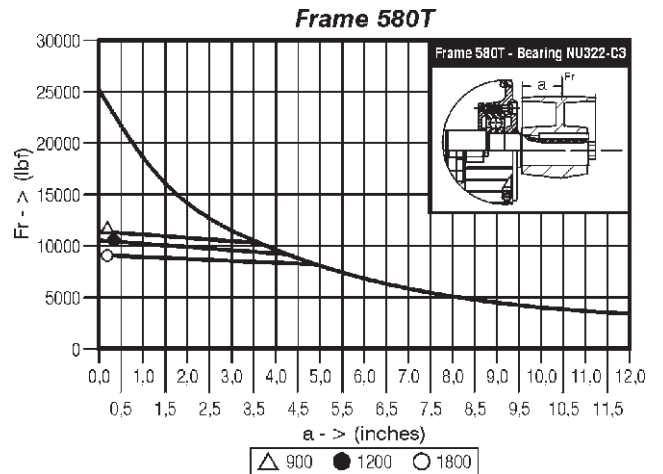
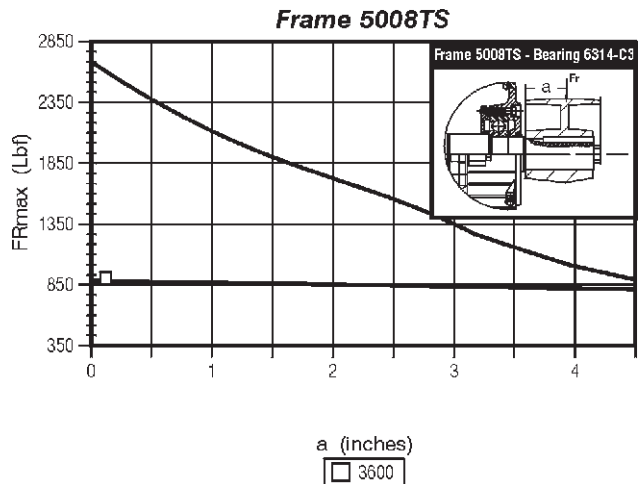
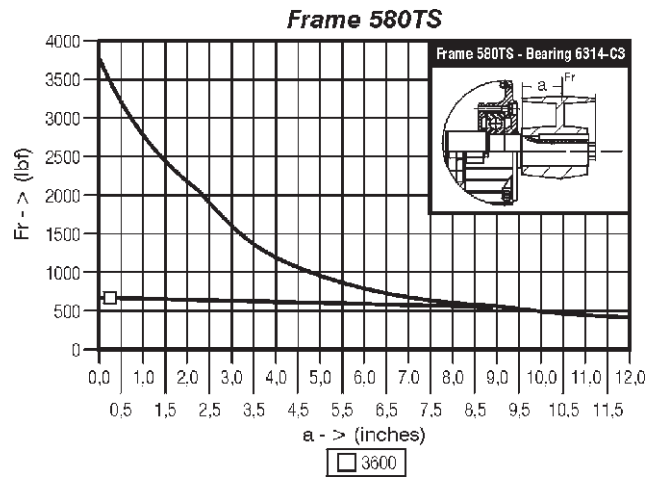
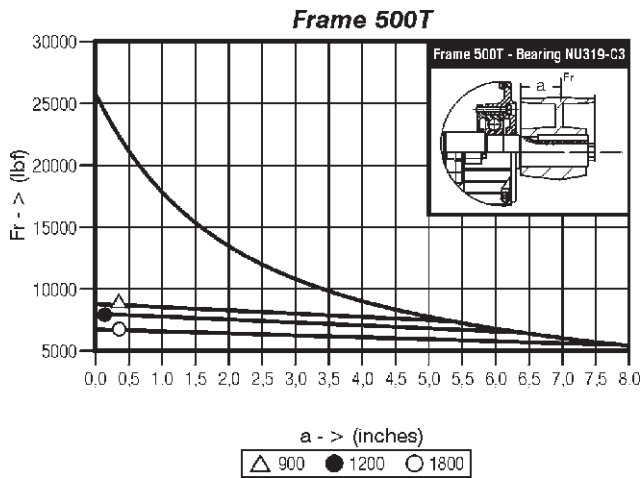
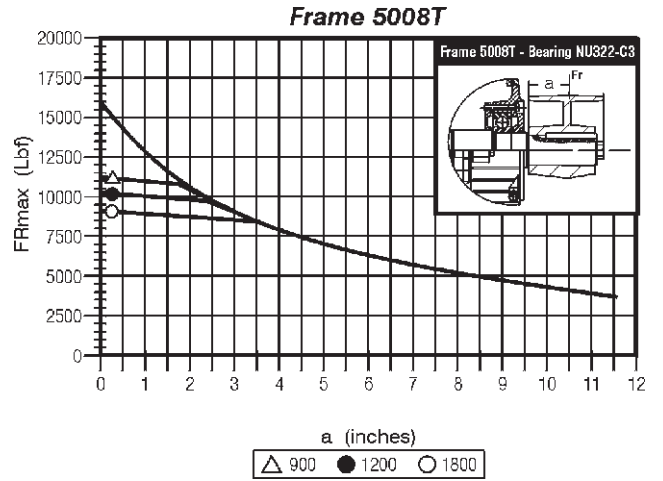
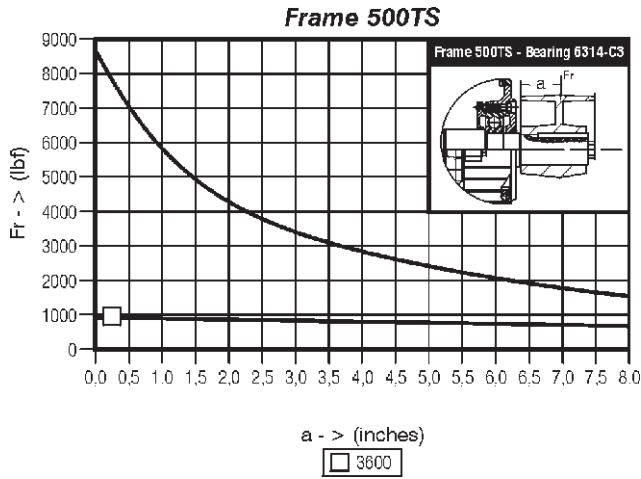


Frame 210T









Note: For frames 600 and above, consult your engineering representative.



3.2 Electrical Aspects

3.2.1 Feed System

Proper electric power supply is very important. The choice of motor feed conductors, whether branch or distribution circuits, should be based on the rated current of the motors as per NFPA-70 Standard article 430.

Tables 4, 5 and 6 show minimum conductor gauges sized according to maximum current capacity and maximum voltage drop in relation to the distance from the distribution center to the motor, and to the type of installation (Overhead or in ducts).

To determine the conductor gauge proceed as follows:

a) Determine the current by multiplying the current indicated on the motor nameplate by 1.25 and then locate the resulting value on the corresponding table.

If the conductor feeds more than one motor, the value to be sought on the table should be equal 1.25 times the rated current of the largest motor plus the rated current of the other motors. In the case of variable speed motors, the highest value among the rated currents should be considered.

When motor operation is intermittent, the conductors should have a current carrying capacity equal or greater, to the product of the motor rated current times the running cycle factor shown on Table 7.

b) Locate the rated voltage of the motor and the feed network distance in the upper part of the corresponding table. The point of intersection of the distance column and the line referring to current will indicate the minimum required gauge of the conductor.

Example:

Size the conductors for a 15 HP, three-phase, 230V, 42A, motor located 200 feet from the main supply with cables laid in conduits.

- a) Current to be located: $1.25 \times 42A = 52.5A$
- b) Closest value on table 6:55A
- c) Minimum gauge: 6 AWG

3.2.2 Starting of Electric Motor

Induction motors can be started by the following methods:

Direct Starting

Whenever possible a three-phase motor with a squirrel cage rotor should be started directly at full supply voltage by means of a contactor (Connection diagram a). This method is called Direct-on-Line (DoL) starting.

Table 7 - Running cycle factor

Duty Classification	Motor short time rating			
	5min	15min	30 at 60min	Continuous
Short (operating valves, activating contacts etc)	1.10	1.20	1.50	-
Intermittent (passenger or freight elevators, tools, pumps, rolling bridges etc)	0.85	0.85	0.90	1.40
Cyclic (rolling mills, mining machines etc)	0.85	0.90	0.95	1.40
Variable	1.10	1.20	1.50	2.00

Table 4 - Wire and cable gauges for single-phase motor installation (voltage drop < 5%) (in conduits)

Supply Voltage	Distance of motor from distribution centre (feet)													
115	34	51	69	85	102	137	171	205	240	273	308	342	428	514
230	69	102	138	170	204	274	342	410	480	546	616	684	856	1028
460	138	204	276	340	408	548	684	820	960	1092	1232	1368	1712	2056
575	170	250	338	420	501	670	840	1010	1181	1342	1515	1680	2105	2530
Current (A)	Cable gauge (conductor)													
5	14	14	14	14	14	14	14	12	12	12	12	10	10	8
10	14	14	14	14	12	12	10	10	10	8	8	8	6	6
15	12	12	12	12	12	10	8	8	6	6	6	6	4	2
20	12	12	12	10	10	8	8	6	6	6	4	4	4	2
30	10	10	10	8	8	6	6	6	4	4	2	2	2	1/0
40	8	8	8	8	6	6	4	4	2	2	2	2	1/0	2/0
55	6	6	6	6	6	4	4	2	2	1/0	1/0	1/0	1/0	2/0
70	4	4	4	4	4	2	2	2	1/0	1/0	2/0	2/0	2/0	2/0
95	2	2	2	2	2	2	1/0	1/0	1/0	2/0	3/0	3/0	4/0	250M

Table 5 - Wire and cable gauges for three-phase motor installation - aerial conductors with 25cm spacing (voltage drop < 5%)

Supply Voltage	Distance of motor from distribution centre (feet)													
115	51	69	85	102	137	171	205	240	273	308	342	428	514	685
230	102	138	170	204	274	342	410	480	546	616	684	856	1028	1370
460	204	276	340	408	547	684	820	960	1092	1232	1368	1712	2056	2740
575	250	338	420	501	670	840	1010	1181	1342	1515	1680	2105	2530	3350
Current (A)	Cable gauge (conductor)													
15	14	14	14	12	12	10	10	10	8	8	8	6	6	4
20	14	14	12	12	10	10	8	8	8	6	6	4	4	2
30	14	12	10	8	8	8	6	6	4	4	4	2	2	1/0
40	12	10	10	8	8	6	4	4	4	2	2	2	1/0	2/0
55	10	10	8	8	6	4	4	2	2	2	1/0	2/0	3/0	--
70	8	8	6	6	4	2	2	2	1/0	1/0	2/0	3/0	--	--
100	6	6	4	4	2	2	1/0	2/0	3/0	4/0	4/0	--	--	--
130	4	4	4	2	1/0	1/0	2/0	4/0	--	--	--	--	--	--
175	2	2	2	1/0	2/0	3/0	--	--	--	--	--	--	--	--
225	1/0	1/0	1/0	2/0	3/0	--	--	--	--	--	--	--	--	--
275	2/0	2/0	2/0	4/0	--	--	--	--	--	--	--	--	--	--
320	3/0	3/0	3/0	4/0	--	--	--	--	--	--	--	--	--	--

Table 6 - Wire and cable gauges for three-phase motor installation (voltage drop < 5%) (in conduits)

Supply Voltage	Distance of motor from distribution centre (feet)												
115	85	102	120	137	171	205	240	273	308	342	428	514	
230	170	204	240	274	342	410	480	546	616	684	856	1028	
460	340	408	480	548	684	820	960	1092	1232	1368	1712	2056	
575	420	501	590	670	840	1010	1181	1342	1515	1680	2105	2530	
Current (A)	Cable gauge (conductor)												
15	12	12	12	10	10	8	8	8	6	6	6	4	
20	12	10	10	10	8	8	6	6	6	6	4	4	
30	10	8	8	8	6	6	6	4	4	4	2	2	
40	8	8	6	6	6	4	4	4	2	2	2	1/0	
55	6	6	6	4	4	4	2	2	2	1/0	1/0	1/0	
70	4	4	4	4	2	2	2	1/0	1/0	1/0	2/0	2/0	
95	2	2	2	2	2	1/0	1/0	1/0	1/0	2/0	3/0	4/0	
125	1/0	1/0	1/0	1/0	1/0	1/0	2/0	2/0	3/0	3/0	4/0	250M	
145	2/0	2/0	2/0	2/0	2/0	2/0	2/0	3/0	3/0	4/0	250M	300M	
165	3/0	3/0	3/0	3/0	3/0	3/0	3/0	3/0	4/0	4/0	250M	350M	
195	4/0	4/0	4/0	4/0	4/0	4/0	4/0	4/0	250M	250M	300M	350M	
215	250M	250M	250M	250M	250M	250M	250M	250M	250M	300M	350M	400M	
240	300M	300M	300M	300M	300M	300M	300M	300M	300M	300M	400M	500M	
265	350M	350M	350M	350M	350M	350M	350M	350M	350M	350M	500M	500M	
280	400M	400M	400M	400M	400M	400M	400M	400M	400M	400M	400M	--	
320	500M	500M	500M	500M	500M	500M	500M	500M	500M	500M	500M	--	

Note: The above indicated values are orientative. For guaranteed values, contact the Local Power Company.



There are DOL starter assemblies available combining a three-pole contactor, a bimetal relay (overload protection device), and a fuse (short circuit protection on branch circuit).

DOL starting is the simplest method, only feasible however, when the locked rotor current (LRC) does not influence the main electric supply lines.

Initial locked rotor current (LRC) in induction motors reach values six to eight times the value of the full load current. During starting by the DOL method, starting current can reach these high levels. The main electrical supply should be rated sufficiently, such that during the starting cycle no supply disturbance to others on the power network is caused by the voltage drop in the main supply.

This can be achieved under one of the following situations:

- a) The rated main supply current is high enough for the locked rotor current not to be proportionally high;
- b) Motor locked rotor current is low with no effect on the networks.
- c) The motor is started under no-load conditions with a short starting cycle and, consequently, a low locked rotor current with a transient voltage drop tolerable to other consumers.

Starting with a compensating switch (auto-transformer starting)

Should direct on line starting not be possible, either due to restrictions imposed by the power supply authority or due to the installation itself, reduced voltage indirect starting methods can be employed to lower the locked rotor current. The single line connection diagram (C) shows the basic components of a compensating switch featuring a transformer (usually an auto-transformer) with a series of taps corresponding to the different values of the reduced voltage. Only three terminals of the motor are connected to the switch, the other being interconnected as per diagram, for the indicated voltage.

Star-Delta starting

It is fundamental to star-delta starting that the three-phase motor has the necessary numbers of leads for both connections:

6 leads for Y/ Δ
or 12 leads for YY/ $\Delta\Delta$

All the connections for the various voltages are made through terminals in the terminal box in accordance with the wiring diagram that accompanies the motor. This diagram may be shown on the nameplate or in the terminal box.

The star-delta connection is usually used only in low-voltage motors due to normally available control and protection devices. In this method of starting the locked rotor current is approximately 30% of the original LRC. The locked rotor torque is reduced proportionally as well. For this reason, it is very important before deciding to use star-delta starting to verify if the reduced locked rotor torque in "STAR" connection is enough to accelerate the load.

3.2.3 Motor Protection

Motor circuits have, in principle, two types of protection: motor

overload, locked rotor and protection of branch circuit from short circuits. Motors in continuous use should be protected from overloading by means of a device incorporated into the motor, or by an independent device, usually a fixed or adjustable thermal relay equal or less than to the value derived from multiplying the rated feed current at full load by:

- 1.25 for motors with a service factor equal or superior to 1.15 or;
- 1.15 for motors with service factor equal to 1.0.

Some motors are optionally fitted with overheating protective detectors (in the event of overload, locked rotor, low voltage, inadequate motor ventilation) such as a thermostat (thermal probe), thermistor (PTC), RTD type resistance which dispense with independent devices.

THERMOSTAT (THERMAL PROBE): bimetallic thermal detectors with normally closed silver contacts. These open at pre-determined temperatures. Thermostats are series connected directly to the contactor coil circuit by two conductors.

THERMISTORS: Semi-conductor heat detectors positive temperature coefficient (PTC) that sharply change their resistance upon reaching a set temperature. Thermistors, depending upon the type, are series or parallel-connected to a control unit that cuts out the motor feed, or actuates an alarm system, in response to the thermistors reaction.

Resistance temperature detectors (RTD) - PT 100

The resistance type heat detector (RTD) is a resistance element usually manufactured of copper or platinum.

The RTD operates on the principle that the electrical resistance of a metallic conductor varies linearly with the temperature. The detector terminals are connected to a control panel, usually fitted with a temperature gauge, a test resistance and a terminal changeover switch.

Subject to the desired degree of safety and the client's specification, three (one per phase) or six (two per phase) protective devices can be fitted to a motor for the alarm stems, circuit breaker or combined alarm and circuit breaker, with two leads from the terminal box to the alarm or circuit breaker system and four for the combined system (alarm and circuit breaker).

Table 9 compares the two methods of protection.

3.3 Start-up

3.3.1 Preliminary Inspection

Before starting a motor for the first time, it will be necessary to:

- a) Remove all locking devices and blocks used in transit and check that the motor rotates freely;
- b) Check that the motor is firmly secured and that coupling elements are correctly mounted and aligned.;
- c) Ascertain that voltage and frequency correspond to those

indicated on the nameplate. Motor performance will be satisfactory with main supply voltage fluctuation within ten per cent of the value indicated on the nameplate or a frequency fluctuation within five per cent or, yet, with a combined voltage and frequency variance within ten per cent;


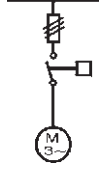
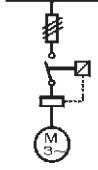
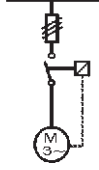
- d) Check that connections are in accordance with the connection diagram shown on the nameplate and be sure that all terminal screws and nuts are tight;
- e) Check the motor for proper grounding. Providing that there are no specifications calling for ground-insulated installation, the motor must be grounded in accordance with prevalent standard for grounding electrical machines. The screw identified by the symbol  should be used for this purpose. This screw is generally to be found in the terminal box or on one foot of the frame;
- f) Check that motor leads connecting with the mains, as well as the control wires and the overload protection device, are in accordance with Nema Standards;
- g) If the motor has been stored in a damp place, or has been stopped for some time, measure the insulating resistance as recommended under the item covering storage instructions;
- h) Start the motor uncoupled to ascertain that it is turning in the desired direction. To reverse the rotation of a three-phase motor, invert two terminal leads of the mains supply. High voltage motors bearing an arrow on the frame indicating rotation direction can only turn in the direction shown;

Table 9 - Comparison between motor protection system

Causes of overheating	Current-based protection		Protection with probe thermistor in motor
	Fuse only	Fuse and thermal protector	
			
1. Overload with 1.2 times rated current	○	●	●
2. Duty cycles S1 to S8 IEC 34, EB 120	○	▣	●
3. Brakings, reversals and frequent starts	○	▣	●
4. Operating with more than 15 starts p/hour	○	▣	●
5. Locked rotor	▣	▣	●
6. Fault on one phase	○	▣	●
7. Excessive voltage fluctuation	○	●	●
8. Frequency fluctuation on main supply	○	●	●
9. Excessive ambient temperature	○	●	●
10. External heating caused by bearings, belts, pulleys etc.	○	○	●
11. Obstructed ventilation	○	○	●

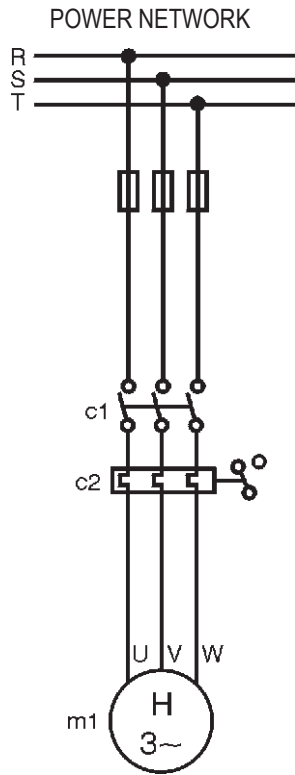
Caption: ○ unprotected

▣ partially protected

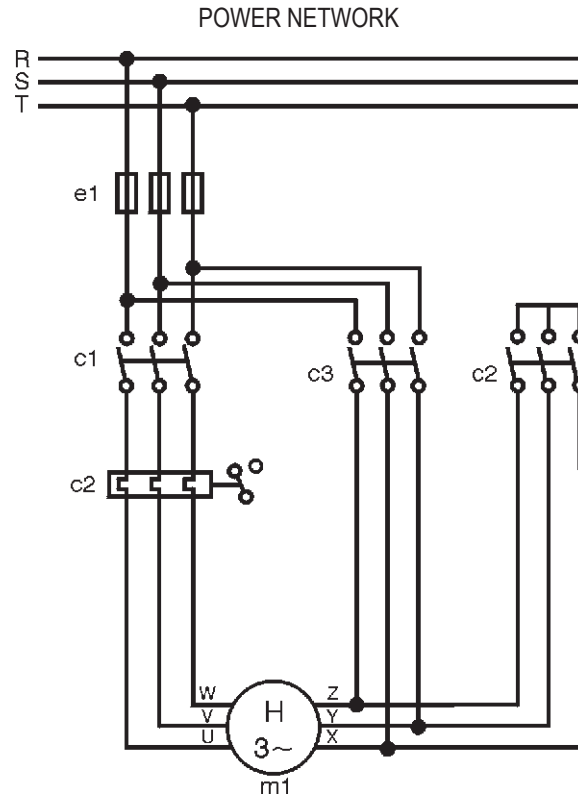
● totally protected

CONNECTION DIAGRAMS

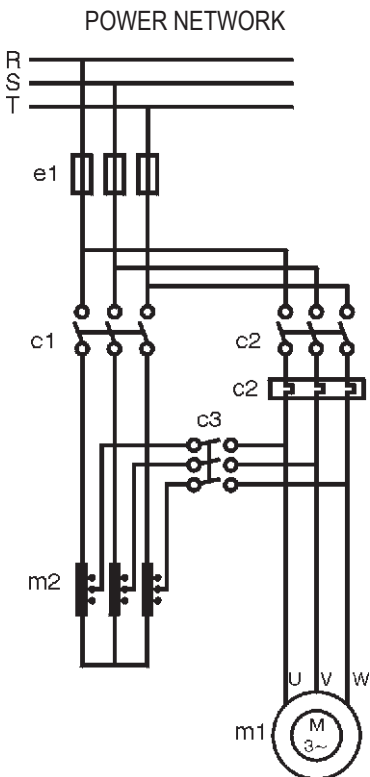
a) Direct starting



b) Star-Delta starting



c) Auto-transformer starting



3.3.2 The First Start-up

Three-Phase Motor with Cage Rotor

After careful examination of the motor, follow the normal sequence of starting operations listed in the control instructions for the initial start-up.

3.3.3 Operation

Drive the motor coupled to the load for a period of at least one hour while watching for abnormal noises or signs of overheating. Compare the line current with the value shown on the nameplate.

Under continuous running conditions without load fluctuations this should not exceed the rated current times the service factor, also shown on the nameplate.

All measuring and control instruments and apparatus should be continuously checked for anomalies, and any irregularities corrected.

3.3.4 Stopping

Warning:

To touch any moving part of a running motor, even though disconnected, is a danger to life and limb.

- a) Three-phase motor with cage rotor:
Open the stator circuit switch. With the motor at a complete stop, reset the auto-transformer, if any, to the “start” position;



Table 11 - Bearing specifications by type of motor

NEMA Frames	Mounting	Bearings		
		Front (D.E.)	Rear (O.D.E.)	
Open drip proof motors				
B48 and C48	ALL FORMS	6203 Z	6202 Z	
56 and A56		6203 Z	6202 Z	
B56 and C56		6203 Z	6202 Z	
D56 and F56H/G56H		6204 Z	6202 Z / 6203 Z	
Totally enclosed fan cooled motors				
143 T	ALL FORMS	6205 ZZ	6204 ZZ	
145 T		6205 ZZ	6204 ZZ	
182 T		6307 ZZ	6206 ZZ	
184 T		6307 ZZ	6206 ZZ	
W 182 T		6206 ZZ	6205 ZZ	
W 184 T		6206 ZZ	6205 ZZ	
213 T		6308 ZZ	6207 ZZ	
215 T		6308 ZZ	6207 ZZ	
W 213 T		6308 ZZ	6207 ZZ	
W 215 T		6308 ZZ	6207 ZZ	
254 T		6309-C3	6209 Z-C3	
256 T		6309-C3	6209 Z-C3	
W 254 T		6309-C3	6209 Z-C3	
W 256 T		6309-C3	6209 Z-C3	
284 T and TS		6311-C3	6211 Z-C3	
286 T and TS		6311-C3	6211 Z-C3	
324 T and TS		6312-C3	6212 Z-C3	
326 T and TS		6312-C3	6212 Z-C3	
364 T and TS		6314-C3	6314-C3	
365 T and TS		6314-C3	6314-C3	
404 T		NU 316-C3	6314-C3	
404 TS		6314-C3	6314-C3	
405 T		NU 316-C3	6314-C3	
405 TS		6314-C3	6414-C3	
444 T		NU 319-C3	6316-C3	
444 TS		6314-C3	6314-C3	
445 T		NU 319-C3	6316-C3	
445 TS		6314-C3	6314-C3	
447 T		NU 319-C3	6316-C3	
447 TS		6314-C3	6314-C3	
449 T		NU 322-C3	6319-C3	
449 TS		6314-C3	6314-C3	
504 T		NU 319-C3	6316-C3	
504 TS		6314-C3	6314-C3	
505 T		NU 319-C3	6316-C3	
505 TS		6314-C3	6314-C3	
5008 T		NU 322-C3	6319-C3	
5008TS		6314-C3	6314-C3	
586 T		NU 322-C3	6319-C3	
586 TS		6314-C3	6314-C3	
587 T		NU 322-C3	6319-C3	
587 TS		6314-C3	6314-C3	
Saw Arbor motor frame		Mounting	Bearings	
			Front (D.E.)	Rear (O.D.E.)
80 S MS		B3	6307 ZZ	6207 ZZ
80 M MS	6307 ZZ		6207 ZZ	
80 L MS	6307 ZZ		6207 ZZ	
90 L MS	6308 ZZ		6208 ZZ	

ODP Motors Nema-T frames	Mounting	Bearings	
		Front (D.E.)	Rear (O.D.E.)
E143/5T	HORIZONTAL MOUNTING ONLY	6205 ZZ	6204 ZZ
F143/5T		6205 ZZ	6204 ZZ
182 T		6206 ZZ	6205 ZZ
184 T		6202 ZZ	6205 ZZ
213/5T		6208 ZZ	6206 ZZ
254 T		6309 Z-C3	6209 Z-C3
256 T		6309 Z-C3	6209 Z-C3
284 T		6311 Z-C3	6211 Z-C3
284 TS		6311 Z-C3	6211 Z-C3
286 T		6311 Z-C3	6211 Z-C3
286 TS		6311 Z-C3	6211 Z-C3
324 T		6312 Z-C3	6212 Z-C3
324 TS		6312 Z-C3	6212 Z-C3
326 T		6312 Z-C3	6212 Z-C3
326 TS		6312 Z-C3	6212 Z-C3
364 T		6314 C3	6314 C3
364 TS		6314 C3	6314 C3
365 T		6314 C3	6314 C3
365 TS		6314 C3	6314 C3
404 T		NU 316 C3	6314 C3
404 TS		6314 C3	6314 C3
405 T		NU 316 C3	6314 C3
405 TS		6314 C3	6314 C3
444 T		NU 319 C3	6316 C3
444 TS		6314 C3	6314 C3
445 T	NU 319 C3	6316 C3	
445 TS	6314 C3	6314 C3	

IEC frame	Mounting	Bearings	
		Front (D.E.)	Rear (O.D.E.)
Totally enclosed fan cooled motors			
63	B3	6201 ZZ	6201 ZZ
71		6203 ZZ	6202 ZZ
80		6204 ZZ	6203 ZZ
90 S - L		6205 ZZ	6204 ZZ
100 L		6206 ZZ	6205 ZZ
112 M		6307 ZZ	6206 ZZ
132 S - M		6308 ZZ	6207 ZZ
160 M - L		6309-C3	6209 Z-C3
180 M - L		6311-C3	6211 Z-C3
200 M - L		6312-C3	6212 Z-C3
225 S/M		6314-C3	6314-C3
250 S/M		6314-C3	6314-C3
280 S/M		6314-C3	6314-C3
		6316-C3	6316-C3
315 S/M		6314-C3	6314-C3
		6319-C3	6316-C3
		6314-C3	6314-C3
355 M/L		NU 322-C3	6319-C3



Table 12 - Bearing lubrication intervals and amount of grease

1 - SINGLE-ROW FIXED BALL BEARINGS

Bearings		Lubrication intervals (running hours)												Amount of grease (oz)
		II Pole		IV Pole		VI Pole		VIII Pole		X Pole		XII Pole		
		60Hz 3600 rpm	50Hz 3000 rpm	60Hz 1800 rpm	50Hz 1500 rpm	60Hz 1200 rpm	50Hz 1000 rpm	60Hz 900 rpm	50Hz 750 rpm	60Hz 720 rpm	50Hz 600 rpm	60Hz 600 rpm	50Hz 500 rpm	
6 2 S E R I E S	6200	12500	13800											0,07
	6201	11700	13000	16600	18400									0,07
	6202	10500	11900	15400	17100	19500								0,07
	6203	9800	11200	14500	16200	18500								0,11
	6204	8700	10100	13300	14800	17100	19100				> 20000			0,14
	6205	8000	9400	12600	14100	16200	18200	19300						0,14
	6206	7300	8700	12000	13400	15400	17200	18300						0,18
	6207	6600	8100	11400	12700	14500	16300	17300	19200					0,25
	6208	5900	7400	10800	12000	13700	15300	16300	18200					0,29
	6209	5300	6900	10400	11600	13400	15000	16000	17800					0,29
	6210	4900	6400	9700	11000	12900	14600	15600	17300					0,32
	6211	4300	5900	9500	10900	12700	14400	15300	17000					0,39
	6212	3800	5400	9300	10300	12400	14300	15200	16500					0,46
	6213	3100	4900	8900	10100	12200	14000	14800	16100					0,50
	6214	1100	2000	4100	5000	5900	6500	6900	7600					0,54
	6215	1000	1800	4400	5000	5600	6300	6700	7600					0,61
6216	700	1600	4100	4700	5700	6500	6800	7500					0,68	

6 3 S E R I E S	6304	8700	10100	13300	14800	17100	19100							0,14
	6305	8000	9400	12600	14100	16200	18200	19300						0,21
	6306	7300	8700	12000	13400	15400	17200	18300			> 20000			0,25
	6307	6600	8100	11400	12700	14500	16300	17300	19200					0,32
	6308	5900	7400	10800	12000	13700	15300	16300	18200	18600				0,39
	6309	5300	6900	10400	11600	13400	15000	16000	17800	18200	19900			0,46
	6310	4900	6400	9700	11000	12900	14600	19500	17300	17700	19500	19500		0,54
	6311	4300	5900	9500	10900	12700	14400	15300	17000	17400	19000	19000		0,64
	6312	3800	5400	9300	10300	12400	14300	15200	16500	16800	18200	18200		0,75
	6313	3100	4900	8900	10100	12200	14000	14800	16100	16400	17900	17900	19700	0,86
	6314	1100	2000	4100	5000	5900	6500	6900	7600	7700	8600	8600	9600	0,96
	6315	1000	1800	4400	5000	5600	6300	6700	7600	7900	8900	8900	9900	1,07
	6316	700	1600	4100	4700	5700	6500	6800	7500	7700	8500	8500	9500	1,22
	6317	800	1300	3900	4700	5600	6300	6700	7400	7500	8300	8300	9300	1,32
	6318	-	1000	3800	4600	5500	6200	6600	7200	7400	8200	8200	9100	1,47
	6319	-	800	3700	4500	5400	6100	6500	7100	7300	8000	8000	8900	1,61
	6320	-	-	3600	4300	5300	6000	6300	7000	7100	7900	7900	8800	1,82
	6321	-	-	3400	4200	5100	5800	6200	6800	7000	7800	7800	8700	2,00
6322	-	-	3100	4000	5000	5700	6100	6700	6900	7700	7700	8600	2,14	

- 1) Lubrication periodicity valid for NLG 1 and lithium based bearing lubricant.
- 2) Bearings for motors of X and XII poles - Lubrication Intervals > 20,000.



Table 13 - Bearing lubrication intervals and amount of grease

2 - CYLINDRICAL ROLLER BEARINGS

Bearings		Lubrication intervals (running hours)												Amount of grease (oz)
		II Pole		IV Pole		VI Pole		VIII Pole		X Pole		XII Pole		
		60Hz 3600 rpm	50Hz 3000 rpm	60Hz 1800 rpm	50Hz 1500 rpm	60Hz 1200 rpm	50Hz 1000 rpm	60Hz 900 rpm	50Hz 750 rpm	60Hz 720 rpm	50Hz 600 rpm	60Hz 600 rpm	50Hz 500 rpm	
N U 3 S E R I E S	NU309	2800	4000	8300	9500	10700	11800	12500	14100	14500	16300	16300	18200	0,46
	NU310	2400	3600	7900	9100	10300	11400	12200	13700	14000	15800	15800	17700	0,54
	NU311	2000	3200	7400	8700	10000	11000	11800	13300	13600	15400	15400	17200	0,64
	NU312	1600	2700	6900	8300	9600	10700	11400	12800	13200	14900	14900	16800	0,75
	NU313	1500	2500	6600	8100	9400	10500	11200	12700	13000	14700	14700	16500	0,86
	NU314	700	1100	3100	3900	4600	5200	5500	6200	6400	7200	7200	8100	0,96
	NU315	-	900	2900	3800	4500	5100	5500	6200	6300	7100	7100	7900	1,07
	NU316	-	800	2800	3600	4400	5000	5400	6100	6200	7000	7000	7800	1,22
	NU317	-	600	2600	3500	4300	4900	5300	6000	6100	6900	6900	7700	1,32
	NU318	-	-	2100	3300	4300	4900	5300	5900	6000	6700	6700	7500	1,47
	NU319	-	-	2300	3200	4100	4700	5100	5800	6000	6700	6700	7500	1,61
	NU320	-	-	2000	3000	4000	4700	5000	5700	5900	6600	6600	7300	1,82
NU321	-	-	1900	2800	4000	4600	4900	5600	5700	6500	6500	7200	2,00	
NU322	-	-	1900	2600	3900	4400	4800	5500	5600	6400	6400	7100	2,14	

1) Lubrication periodicity valid for NLG 1 and 2 lithium based bearing lubricant.



4. Maintenance

A well-designed maintenance program for electric motors can be summed up as: periodical inspection of insulation levels, temperature rise, wear, bearing lubrication and the occasional checking of fan air flow.

Inspection cycles depend upon the type of motor and the conditions under which it operates.

4.1 Cleanliness

Motors should be kept clean, free of dust, debris and oil. Soft brushes or clean cotton rags should be used for cleaning. A jet of compressed air should be used to remove non-abrasive dust from the fan cover and any accumulated grime from the fan and cooling fins.

Oil or damp impregnated impurities can be removed with rags soaked in a suitable solvent.

Terminal boxes fitted to motors with IP55 protection should be cleaned; their terminals should be free of oxidation, in perfect mechanical condition, and all unused space dust-free.

Motors with IPW 55 protection are recommended for use under unfavourable ambient conditions.

4.2 Lubrication

Proper lubrication extends bearing life.

Lubrication Maintenance Includes:

- Attention to the overall state of the bearings;
- Cleaning and lubrication;
- Critical inspection of the bearings.

Motor noise should be measured at regular intervals of one to four months. A well-tuned ear is perfectly capable of distinguishing unusual noises, even with rudimentary tools such as a screw driver, etc., without recourse to sophisticated listening aids or stethoscopes that are available on the market. A uniform hum is a sign that a bearing is running perfectly. Bearing temperature control is also part of routine maintenance. The temperature of bearings lubricated as recommended under item 4.2.2 should not exceed 70°C.

Constant temperature control is possible with the aid of external thermometers or by embedded thermal elements. WEG motors are normally equipped with grease lubricated ball or roller bearings.

Bearings should be lubricated to avoid metallic contact of the moving parts, and also for protection against corrosion and wear. Lubricant properties deteriorate in the course of time and mechanical operation: furthermore, all lubricants are subject to contamination under working conditions.

For this reason lubricants must be renewed and any lubricant consumed needs replacing from time to time.

4.2.1 Periodical Lubrication

WEG motors are supplied with sufficient grease for a long

period. Lubrication intervals, the amount of grease and the type of bearing used in frames 140T to 580T are to be found in Tables 11, 12 and 13.

Lubrication intervals depend upon the size of the motor, speed, working conditions and the type of grease used.

4.2.2 Quality and Quantity of Grease

Correct lubrication is important!

Grease must be applied correctly and in sufficient quantity as both insufficient or excessive greasing are harmful.

Excessive greasing causes overheating brought about by the greater resistance encountered by the rotating parts and, in particular, by the compacting of the lubricant and its eventual loss of lubricating qualities.

This can cause seepage with the grease penetrating the motor and dripping on the coils.

A lithium based grease is commonly used for the lubrication of electric motor bearings as it has good mechanical stability, is insoluble in water and has a drip point of approximately 200°C. This grease should never be mixed with sodium or calcium based greases.

GREASES FOR MOTOR BEARINGS

For operating temperatures from - 20 to 130°C			
Frame	Supplier	Grease	Temperature range
143T-215T	Eso	Alvania R3	-20 to 130°C
254T to 586/7	Shell	Unirex N2	-30 to 165°C
Substitutes			
Supplier	Grease	Temperature Range	
Mobil	Mobilith SHC100	-40 to 177°C	
ESSO	Beacon 2	-20 to 130°C	
Atlantic	Litholine 2	-20 to 130°C	
Texaco	Multifak 2	-20 to 130°C	
Molikote	BG 20	-45 to 180°C	
Inisilkon	L5012	-20 to 200°C	

Note: When changing lubricant, please follow manufacturers instructions

4.2.3 Lubricating Instructions

a) Frame 140T to 210T motors

Frame 140T to 210T size motors are not fitted with grease nipples.

Lubrication is carried out during periodical overhauls when the motor is taken apart.

Cleaning and Lubrication of Bearings

With the motor dismantled and without extracting the bearings from the shaft, all existing grease should be removed and the bearings cleaned with Diesel oil, kerosene or other solvent, until thoroughly clean.

running Refill the spaces between the balls or rollers and the bearing cages with grease immediately after washing. Never rotate bearings in their dry state after washing. For inspection purposes apply a few drops of machine oil. During these operations maximum care and cleanliness is recommended to avoid the penetration of any impurities or dust that could harm the bearings. Clean all external parts prior to reassembly.

b) Frame 360T to 580T Motors

Motors above 360T frame size are fitted with regreasable bearing system.

The lubrication system from this frame size upwards was designed to allow the removal of all grease from the bearing races through a bleeder outlet which at the same time impedes the entry of dust or other contaminants harmful to the bearing. This outlet also prevents injury to the bearings from the well-known problem of over-greasing.

It is advisable to lubricate while the motor is running, to allow the renewal of grease in the bearing case.

Should this procedure not be possible because of rotating parts in the proximity of the nipple (pulleys, coupling sleeves, etc.) that are hazardous to the operator the following procedure should be followed:

- Inject about half the estimated amount of grease and run the motor at full speed for approximately a minute; switch off the motor and inject the remaining grease.

The injection of all the grease with the motor at rest could cause penetration of a portion of the lubricant through the internal seal

Nipples must be clean prior to introduction of grease to avoid entry of any alien bodies into the bearing.
For lubricating use only a manual grease gun.

Bearing Lubrication Steps

1. Cleanse the area around the grease nipples with clean cotton fabric.
2. With the motor running, add grease with a manual grease gun until the lubricant commences to be expelled from the bleeder outlet, or until the quantity of grease recommended in Tables 12 or 13 has been applied.
3. Allow the motor to run long enough to eject all excess grease.

4.2.4 Replacement of Bearings

The opening of a motor to replace a bearing should only be carried out by qualified personnel.

Damage to the core after the removal of the bearing cover can be avoided by filling the gap between the rotor and the stator with stiff paper of a proper thickness.

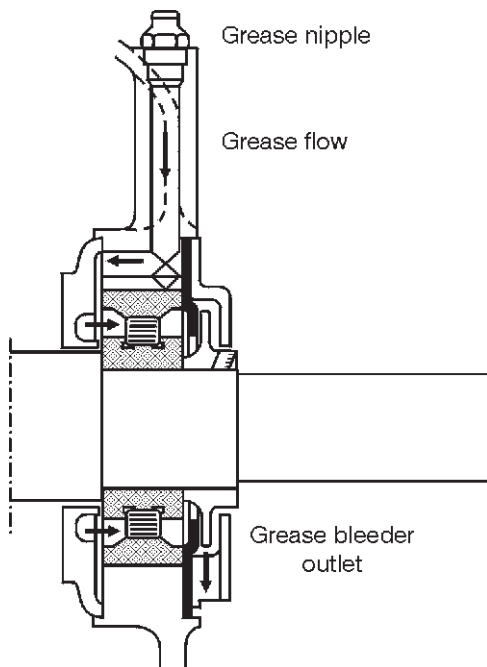
Providing suitable tooling is employed, disassembly of a bearing is not difficult.

The extractor grips should be applied to the sidewall of the inner ring to be stripped, or to an adjacent part.

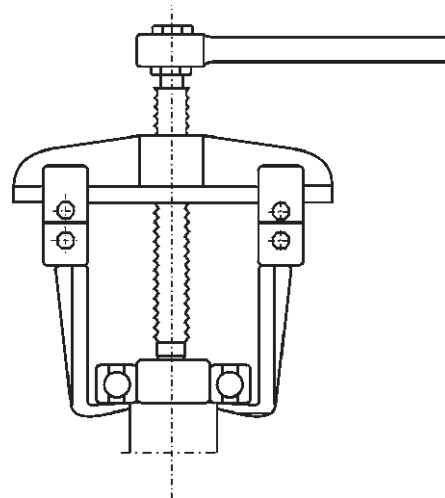
To ensure perfect functioning and to prevent injury to the bearing parts, it is essential that the assembly be undertaken under conditions of complete cleanliness and by competent personnel.

New bearings should not be removed from their packages until the moment of assembly.

Prior to fitting a new bearing, ascertain that the shaft has no



of the bearing case and hence into the motor.
Figure 4.1 - Bearings and lubrication system



rough edges or signs of hammering.
Figure 4.2 - A bearing extractor

During assembly bearings cannot be subjected to direct blows. The aid used to press or strike the bearing should be applied to the inner ring.

4.3 Air Gap Checking (Large Rating Open Motors)

Upon the completion of any work on the bearings check the gap measurement between the stator and the rotor using the appropriate gages.

The gap variation at any two vertically opposite points must be less than 10% of the average gap measurement.

4.4 Explosion Proof Motor Repair Steps

4.4.1 Objective

In view of the heavy liability associated with burning of motors of this type, this product has been designed and manufactured to high technical standards, under rigid controls. In addition, in many areas it is required that explosion proof motors ONLY be repaired by licensed personnel or in licensed facilities authorized to do this type of work.

The following general procedures, safeguards, and guidelines must be followed in order to ensure repaired explosion proof motors operate as intended.

4.4.2 Repair Procedure and Precautions

Dismantle the damaged motor with appropriate tools without hammering and/or pitting machined surfaces such as enclosure joints, fastening holes, and all joints in general.

The position of the fan cover should be suitably marked prior to removal so as to facilitate reassembly later on.

Examine the motor's general condition and, if necessary, disassemble all parts and clean them with kerosene. Under no circumstances should scrapers, emery papers or tools be used that could affect the dimensions of any part during cleaning.

Protect all machined parts against oxidation by applying a coating of vaseline or oil immediately after cleaning.

STRIPPING OF WINDINGS

This step requires great care to avoid knocking and/or denting of enclosure joints and, when removing the sealing compound from the terminal box, damage or cracking of the frame.

IMPREGNATION

Protect all frame threads by inserting corresponding bolts, and the joint between terminal box and frame, by coating it with a non-adhesive varnish (ISO 287 - ISOLASIL).

Protective varnish on machined parts should be removed soon after treating with impregnating varnish. This operation should be carried out manually without using tools.

ASSEMBLY

Inspect all parts for defects, such as cracks, joint incrustations, damaged threads and other potential problems.

Assemble using a rubber headed mallet and a bronze bushing after ascertaining that all parts are perfectly fitted.

Bolts should be positioned with corresponding spring washers and evenly tightened.

TESTING

Rotate the shaft by hand while examining for any drag problems on covers or fastening rings.

Carry out running tests as for standard motors.

MOUNTING THE TERMINAL BOX

Prior to fitting the terminal box all cable outlets on the frame should be sealed with a sealing compound (1st layer) and an Epoxy resin (ISO 340) mixed with ground quartz (2nd layer) in the following proportions:

340A resin	50 parts
340B resin	50 parts
Ground quartz	100 parts

Drying time for this mixture is two hours during which the frame should not be handled and cable outlets should be upwards.

When dry, see that the outlets and areas around the cables are perfectly sealed.

Mount the terminal box and paint the motor.

4.4.3 Miscellaneous Recommendations

- Any damaged parts (cracks, pittings in machined surfaces, defective threads) must be replaced and under no circumstances should attempts be made to recover them.
- Upon reassembling explosion proof motors IPW55 the substitution of all seals is mandatory.
- Should any doubts arise, consult WEG.

5. Malfunctioning

Most malfunctions affecting the normal running of electric motors can be prevented by maintenance and the appropriate precautions.

While ventilation, cleanliness and careful maintenance are the main factors ensuring long motor life, a further essential factor is the prompt attention to any malfunctioning as signalled by vibrations, shaft knock, declining insulation resistance, smoke or fire, sparking or unusual slip ring or brush wear, sudden changes of bearing temperatures.

When failures of an electric or mechanical nature arise, the first step to be taken is to stop the motor and subsequent examination of all mechanical and electrical parts of the installation.

In the event of fire, the installation should be isolated from the mains supply, which is normally done by turning off the respective switches.

In the event of fire within the motor itself, steps should be taken to restrain and suffocate it by covering the ventilation vents.

To extinguish a fire, dry chemical or CO₂ extinguishers should be used - never water.

5.1 Standard Three-Phase Motor Failures

Owing to the widespread usage of asynchronous three-phase motors in industry which are more often repaired in the plant workshops, there follows a summary of possible failures and their probable causes, detection and repairs.

Motors are generally designed to Class B or F insulation and for ambient temperatures up to 40°C.

Most winding defects arise when temperature limits, due to current overload, are surpassed throughout the winding or even in only portions thereof. These defects are identified by the darkening or carbonizing of wire insulation.

5.1.1 Short Circuits Between Turns

A short circuit between turns can be a consequent of two coinciding insulation defects, or the result of defects arising simultaneously on two adjacent wires. As wires are randomly tested, even the best quality wires can have weak spots. Weak spots can, on occasion, tolerate a voltage surge of 30% at the time of testing for shorting between turns, and later fail due to humidity, dust or vibration.

Depending on the intensity of the short, a magnetic hum becomes audible.

In some cases, the three-phase current imbalance can be so insignificant that the motor protective device fails to react.

A short circuit between turns, and phases to ground due to insulation failure is rare, and even so, it nearly always occurs during the early stages of operation.

5.1.2 Winding Failures

a) One burnt winding phase

This failure arises when a motor runs wired in delta and current

fails in one main conductor.

Current rises from 2 to 2.5 times in the remaining winding with a simultaneous marked fall in speed. If the motor stops, the current will increase from 3.5 to 4 times its rated value.

In most instances, this defect is due to the absence of a protective switch, or else the switch has been set too high.

b) Two burnt winding phases

This failure arises when current fails in one main conductor and the motor winding is star-connected. One of the winding phases remains currentless while the others absorb the full voltage and carry an excessive current.

The slip almost doubles.

c) Three burnt winding phases

Probable cause 1

Motor only protected by fuses; an overload on the motor will be the cause of the trouble.

Consequently, progressive carbonizing of the wires and insulation culminate in a short circuit between turns, or a short against the frame occurs.

A protective switch placed before the motor would easily solve this problem.

Probable cause 2

Motor incorrectly connected. For example: A motor with windings designed for 230/400V is connected through a star-delta switch to 400V connection.

The absorbed current will be so high that the winding will burn out in a few seconds if the fuses or a wrongly set protective switch fail to react promptly.

Probable cause 3

The star-delta switch is not commutated and the motor continues to run for a time connected to the star under overload conditions.

As it only develops 1/3 of its torque, the motor cannot reach rated speed. The increased slip results in higher ohmic losses arising from the Joule effect. As the stator current, consistent with the load, may not exceed the rated value for the delta connection, the protective switch will not react.

Consequent to increased winding and rotor losses the motor will overheat and the winding burn out.

Probable cause 4

Failures from this cause arise from thermal overload, due to too many starts under intermittent operation or to an overly long starting cycle. The perfect functioning of motor operating under these conditions is only assured when the following values are heeded:

- a) number of starts per hour;
- b) starting with or without load;
- c) mechanical brake or current inversion;
- d) acceleration of rotating masses connected to motor shaft
- e) load torque vs. speed during acceleration and braking.

The continuous effort exerted by the rotor during intermittent

starting brings about heavier losses which provoke overheating. Under certain circumstances with the motor idle there is a possibility that the stator winding is subjected to damage as a result of the heating of the motor. In such a case, a slip ring motor is recommended as a large portion of the heat (due to rotor losses) is dissipated in the rheostat.

5.1.3 Rotor Failures

If a motor running under load conditions produces a noise of varying intensity and decreasing frequency while the load is increased, the reason, in most cases, will be an unsymmetrical rotor winding.

In squirrel-cage motors the cause will nearly always be a break in one or more of the rotor bars; simultaneously, periodical stator current fluctuations may be recorded. As a rule, this defect appears only in molded or die cast aluminum cages.

Failures due to spot heating in one or another of the bars in the rotor stack are identified by the blue coloration at the affected points.

Should there be failures in various contiguous bars, vibrations and shuddering can occur as if due to an unbalance, and are often interpreted as such. When the rotor stack acquires a blue or violet coloration, it is a sign of overloading.

This can be caused by overly high slip, by too many starts or overlong starting cycles. This failure can also arise from insufficient main voltage.

5.1.4 Bearing Failures

Bearing damage is a result of overloading brought about by an overly taut belt or axial impacts and stresses.

Underestimating the distance between the drive pulley and the driven pulley is a common occurrence.

The arc of contact of the belt on the drive pulley thus becomes inadmissibly small and thereby belt tension is insufficient for torque transmission.

In spite of this it is quite usual to increase belt tension in order to attain sufficient drive.

Admittably, this is feasible with the latest belt types reinforced by synthetic materials.

However, this practice fails to consider the load on the bearing and the result is bearing failure within a short time.

Additionally there is the possibility of the shaft being subjected to unacceptably high loads when the motor is fitted with a pulley that is too wide.

5.1.5 Shaft Fractures

Although bearings traditionally constitute the weaker part, and the shafts are designed with wide safety margins, it is not beyond the realm of possibility that a shaft may fracture by fatigue from bending stress brought about by excessive belt tension.

In most cases, fractures occur right behind the drive end bearing.

As a consequence of alternating bending stress induced by a rotating shaft, fractures travel inwards from the outside of the shaft until the point of rupture is reached when resistance of the remaining shaft cross-section no longer suffices. Avoid additional drilling the shaft (fastening screw holes) as such operations tend to cause stress concentration.

5.1.6 Unbalanced V-Belt Drives

The substitution of only one of a number of other parallel belts on a drive is frequently the cause of shaft fractures, as well as being malpractice.

Any used, and consequently stretched belts retained on the drive, especially those closest to the motor, while new and unstretched belts are placed on the same drive turning farther from the bearing, can augment shaft stress.

5.1.7 Damage Arising from Poorly Fitted Transmission Parts or Improper Motor Alignment

Damage to bearing and fracture in shafts often ensue from inadequate fitting of pulleys, couplings or pinions. These parts “knock” when rotating. The defect is recognized by the scratches that appear on the shaft or the eventual scalelike flaking of the shaft end.

Keyways with edges pitted by loosely fitted keys can also bring about shaft failures.

Poorly aligned couplings cause knocks and radial and axial shaking to shaft and bearings.

Within a short while these malpractices cause the deterioration of the bearings and the enlargement of the bearing cover bracket located on the drive end side.

Shaft fracture can occur in more serious cases.

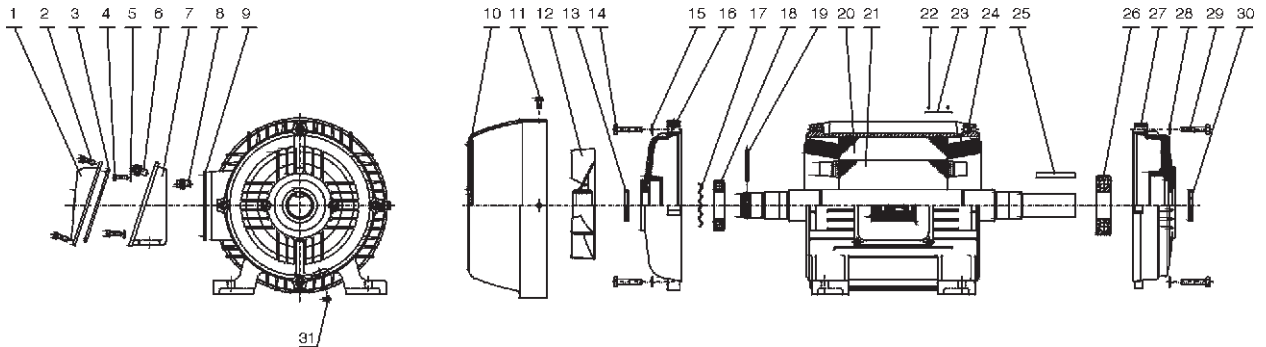


5.2 Troubleshooting chart

FAILURE	PROBABLE CAUSE	CORRECTIVE MEASURES
Motor fails to start	<ol style="list-style-type: none"> 1.No voltage supply 2. Low voltage supply 3. Wrong control connections 4. Loose connection at some terminal lug 5. Overload 	<ul style="list-style-type: none"> • Check feed connections to control system and from this to motor. • Check voltage supply and ascertain that voltage remains within 10% of the rated voltage shown on the motor nameplate. • Compare connections with the wiring diagram on the motor nameplate. • Tighten all connections. • Try to start motor under no-load conditions. If it starts, there may be an overload condition or a blocking of the starting mechanism. Reduce load to rated load level and increase torque.
High noise level	<ol style="list-style-type: none"> 1. Unbalance 2. Distorted shaft 3. Incorrect alignment 4. Uneven air gap 5. Dirt in the air gap 6. Extraneous matter stuck between fan and motor casing 7. Loose motor foundation 8. Worn bearings 	<ul style="list-style-type: none"> • Vibrations can be eliminated by balancing rotor. If load is coupled directly to motor shaft, the load can be unbalanced. • Shaft key bent; check rotor balance and eccentricity. • Check motor alignment with machine running. • Check shaft for warping or bearing wear. • Dismantle motor and remove dirt or dust with jet of dry air. • Dismantle motor and clean. Remove trash or debris from motor vicinity. • Tighten all foundation studs. If necessary, realign motor. • Check lubrication. Replace bearing if noise is excessive and continuous.
Overheating of bearings	<ol style="list-style-type: none"> 1. Excessive grease 2. Excessive axial or radial strain on belt 3. Deformed shaft 4. Rough bearing surface 5. Loose or poorly fitted motor end shields 6. Lack of grease 7. Hardened grease cause locking of balls 8. Foreign material in grease 	<ul style="list-style-type: none"> • Remove grease bleeder plug and run motor until excess grease is expelled. • Reduce belt tension. • Have shaft straightened and check rotor balance. • Replace bearings before they damage shaft. • Check end shields for close fit and tightness around circumference. • Add grease to bearing. • Replace bearings. • Flush out housings and relubricate.
Intense bearing vibration	<ol style="list-style-type: none"> 1. Unbalanced rotor 2. Dirty or worn bearing 3. Bearing rings too tight on shaft and/or bearing housing 4. Extraneous solid particles in bearing 	<ul style="list-style-type: none"> • Balance rotor statically and dynamically. • If bearing rings are in perfect condition, clean and relubricate the bearing, otherwise, replace bearing. • Before altering shaft or housing dimensions, it is advisable to ascertain that bearing dimensions correspond to manufacturer's specifications. • Take bearing apart and clean. Reassemble only if rotating and support surfaces are unharmed.
Overheating of motor	<ol style="list-style-type: none"> 1. Obstructed cooling system 2. Overload 3. Incorrect voltages and frequencies 4. Frequent inversions 5. Rotor dragging on stator 6. Unbalanced electrical load (burnt fuse, incorrect control) 	<ul style="list-style-type: none"> • Clean and dry motor; inspect air vents and windings periodically. • Check application, measuring voltage and current under normal running conditions. • Compare values on motor nameplate with those of mains supply. Also check voltage at motor terminals under full load. • Exchange motor for another that meets needs. • Check bearing wear and shaft curvature. • Check for unbalanced voltages or operation under single-phase condition.

6. Spare Parts and Component Terminology

THREE-PHASE MOTORS IP55 NEMA - Frames 140T - W180T - 180T - 210T and W210T

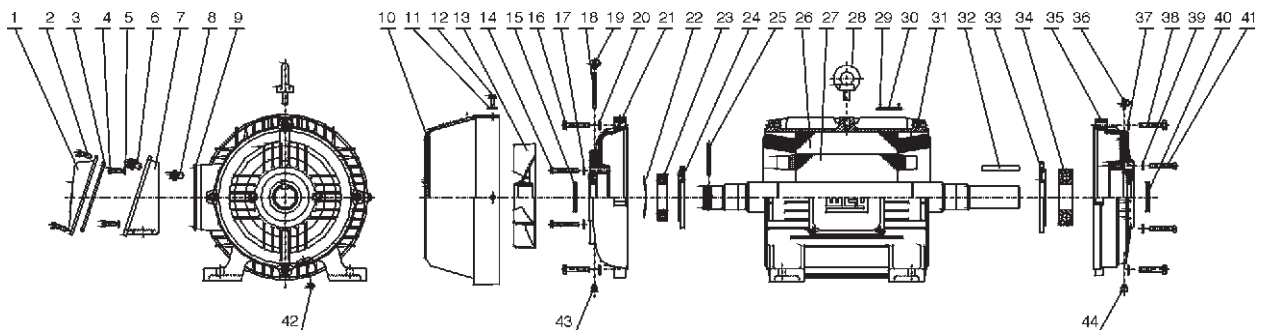


Part Nr.	Description
1	Terminal box cover
2	Terminal box cover fixing bolt
3	Terminal box cover gasket
4	Terminal box fixing bolt
5	Terminal box fixing washer
6	Terminal box grounding lug
7	Terminal box
8	Frame grounding lug
9	Terminal box o'ring gasket
10	Fan cover
11	Fan cover fixing bolt
12	Fan

Part Nr.	Description
13	V'Ring
14	Non-drive end endshield fixing bolt
15	Non-drive end endshield washer
16	Non-drive endshield
17	Spring washer
18	Non-drive bearing
19	Fan fixing pin
20	Wound stator
21	Rotor / shaft assembly
22	Nameplate fixing rivet
23	Nameplate
24	Frame

Part Nr.	Description
25	Shaft key
26	Drive end bearing
27	Drive endshield
28	Drive endshield washer
29	Drive end endshield fixing bolt
33	V'Ring
31	Drain plug

THREE-PHASE MOTORS IP55 NEMA - Frames 250T - W250T - 280T and 320T



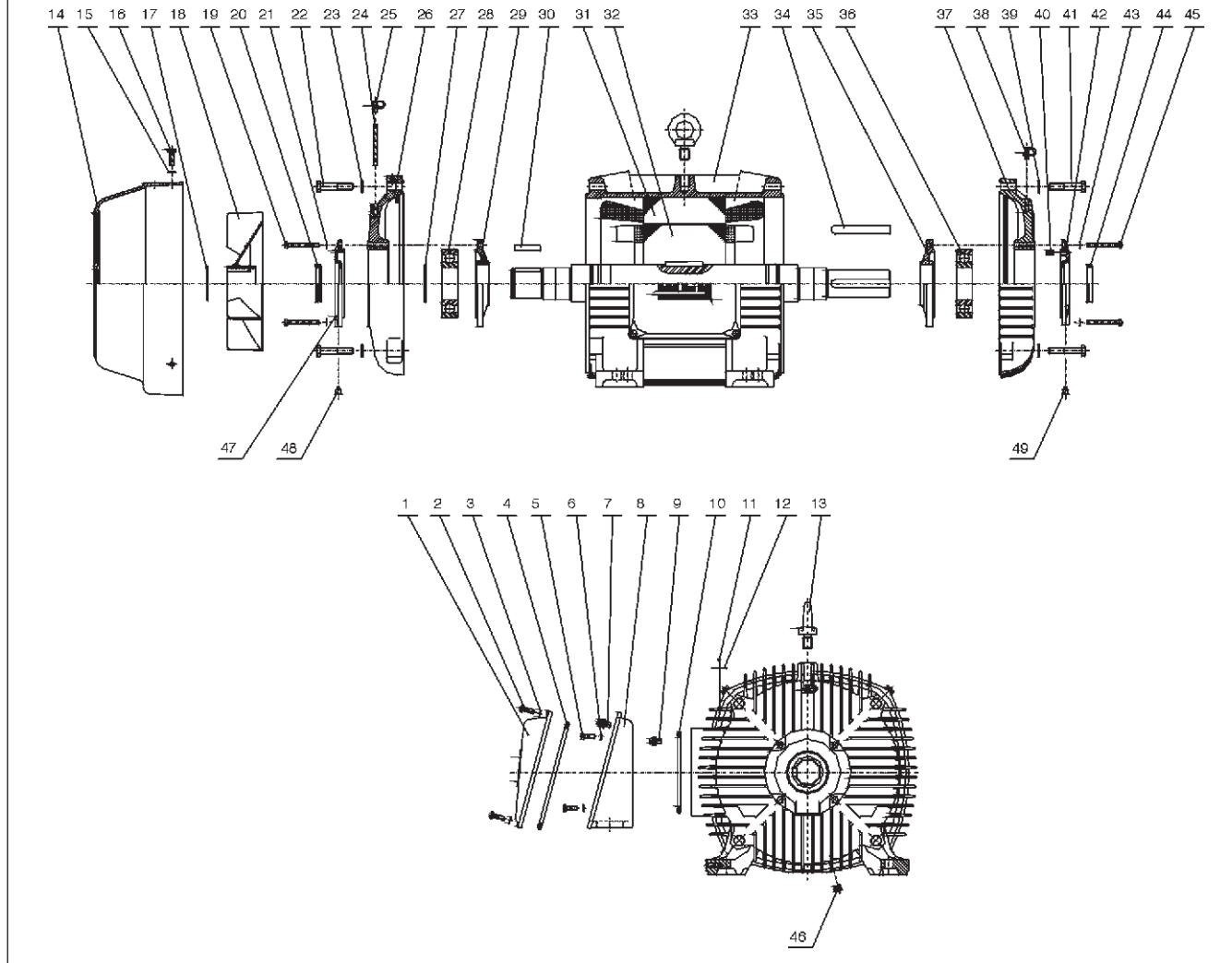
Part Nr.	Description
1	Terminal box cover
2	Terminal box cover fixing bolt
3	Terminal box cover gasket
4	Terminal box fixing bolt
5	Terminal box fixing washer
6	Terminal box grounding lug
7	Terminal box
8	Frame grounding lug
9	Terminal box o'ring gasket
10	Fan cover
11	Fan cover washer
12	Fan cover fixing bolt
13	Fan
14	Non-drive end bearing cap bolt
15	V'Ring

Part Nr.	Description
16	Non-drive end endshield fixing bolt
17	Non-drive end bearing cap washer
18	Non-drive end grease nipple
19	Non-drive end grease nipple cover
20	Non-drive end endshield washer
21	Non-drive endshield
22	Spring washer
23	Non-drive end bearing
24	Non-drive end bearing cap
25	Fan fixing pin
26	Wound stator
27	Rotor and shaft
28	Eyebolt
29	Nameplate fixing rivet

Part Nr.	Description
30	Nameplate
31	Frame
32	Shaft key
33	Drive end bearing cap
34	Drive end bearing
35	Drive endshield
36	Drive end grease nipple cover
37	Drive endshield washer
38	Drive end endshield fixing bolt
39	Drive end bearing cap washer
40	V'Ring
41	Drive end bearing cap fixing bolt
42	Drain plug
43	Non-drive and grease relief
44	Drive end grease relief



**THREE-PHASE MOTORS IP55 NEMA T -
Frames 360T - 400T - 440T - 500T and 580T**

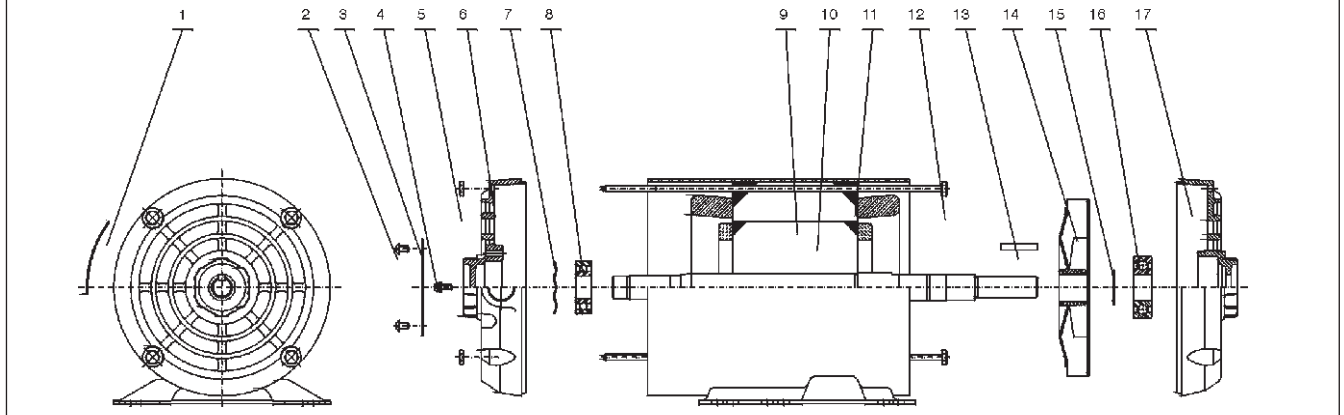


Part Nr.	Description
1	Terminal box cover
2	Terminal box cover fixing bolt
3	Terminal box cover washer
4	Terminal box cover gasket
5	Terminal box fixing bolt
6	Terminal box fixing washer
7	Terminal box grounding lug
8	Terminal box
9	Frame grounding lug
10	Terminal box o'ring gasket
11	Nameplate fixing rivet
12	Nameplate
13	Eyebolt
14	Fan cover
15	Fan cover washer
16	Fan cover fixing bolt
17	Fan fixing ring

Part Nr.	Description
18	Fan
19	Non-drive end bearing cap bolt
20	V'Ring
21	Non-drive end bearing cap washer
22	Non-drive end endshield fixing bolt
23	Non-drive end endshield washer
24	Non-drive end grease nipple
25	Non-drive end grease nipple cover
26	Non-drive end shield
27	Bearing cap
28	Non-drive bearing
29	Internal non-drive end bearing cap
30	Fan fixing key
31	Wound stator
32	Rotor / shaft assembly
33	Frame

Part Nr.	Description
34	Shaft key
35	Internal drive end bearing cap
36	Drive end bearing
37	Drive end shield
38	Drive end grease nipple cover
39	Drive end shield washer
40	Pre-load spring
41	Drive end endshield fixing bolt
42	External drive end bearing cap
43	Drive end bearing cap washer
44	V'Ring
45	Drive end bearing cap fixing bolt
46	Drain plug
47	External non-drive end bearing cap
48	Non drive end grease relief
49	Non-drive end grease relief

THREE-PHASE MOTORS NEMA 56 - Frames A56 - B56 - D56 - F56H and G56H

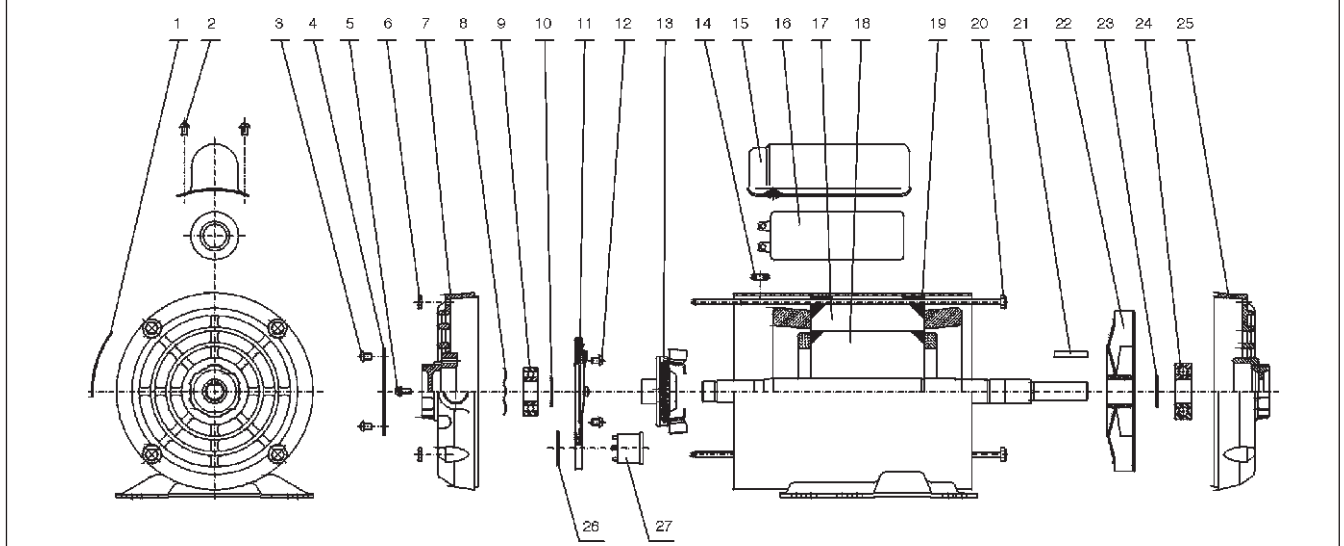


Part Nr.	Description
1	Sticker
2	Terminal box cover fixing bolt
3	Terminal box cover
4	Grounding lug
5	Through bolt fastening nut
6	Non-drive endshield
7	Spring washer

Part Nr.	Description
8	Non-drive end bearing
9	Wound stator
10	Rotor / shaft assembly
11	Frame
12	Through bolt
13	Shaft key

Part Nr.	Description
14	Fan
15	Drive end bearing fastening washer
16	Drive end bearing
17	Drive endshield

SINGLE-PHASE MOTORS NEMA 56 - Frames B48 - C48 - C56 - A56 - B56 - D56 - F56H - G56H



Part Nr.	Description
1	Sticker
2	Capacitor cover fixing bolt
3	Terminal box cover fixing bolt
4	Terminal box cover
5	Grounding lug
6	Through bolt fastening nut
7	Non-drive endshield
8	Spring washer
9	Non-drive end bearing
10	Non-drive end bearing fastening washer
11	Stationary switch

Part Nr.	Description
12	Stationary switch fastening bolt
13	Centrifugal switch
14	Rubber ring for lead passing hole to capacitor
15	Capacitor cover
16	Capacitor
17	Wound stator
18	Rotor / shaft assembly
19	Frame
20	Through bolt
21	Shaft key
22	Fan

Part Nr.	Description
23	Drive end bearing fastening washer
24	Drive end bearing
25	Drive endshield
26	Overload thermal protector fixing ring
27	Overload thermal protector

Note: For F56H and G56H frame motors: 1) Part nr. 2 = 3 pieces; 2) Part nr. 15 and 16 = 2 pieces



**THE FOLLOWING
INSTALLATION AND
MAINTENANCE MANUALS
ARE AVAILABLE**

Low and High
Voltage Large Motors
Induction, Slip Ring, H
Line, M Line, A Line

DC Motors

Tacho Generator
Dynamo

Generators "GTA"
Line

**YOU CAN REQUEST THE
ABOVE MANUALS FROM
YOUR NEAREST WEG
SALES OFFICE.**



WEG Electric Motors Corp.
2100 Brighton-Henrietta Townline Road
Rochester NY 14623
PHONE: 716-240-1000
FAX: 716-240-1034